

Quick Start Guide

WVEP627 oven series

Dear Customer,

Thank you for purchasing a Westinghouse oven. You have chosen a product that comes from a history of durable and reliable products loved by many families. We look to help you make the most of your time at home, so you can spend your time doing what you really love, with the ones you love.

Welcome to Westinghouse.

Ready



This is a Quick Start Guide. Please refer to user manual online for detailed information and installation

To access your detailed user manual online, simply scan the QR code on your smart phone.

For more detailed information and installation guide refer to user manuals at westinghouse.com.au/manuals

Before you start, please make sure:

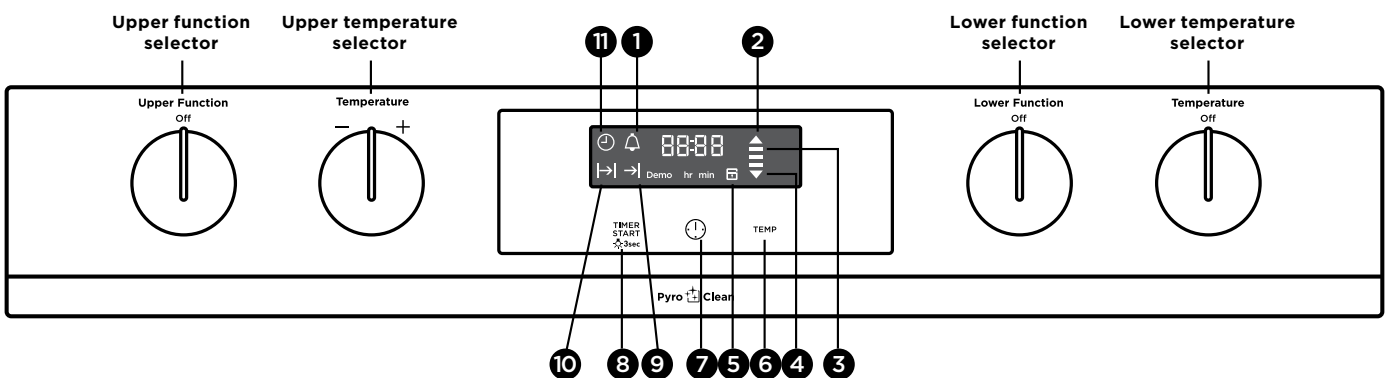
- Your oven has been correctly installed by a qualified person.
- Your oven has power and is switched on.
- You've removed all relevant packaging.



Most of the packaging materials can be recycled. Please dispose of them at your local recycling centre or in your own recycling bin.

Set...

Get to know your oven control panel:



- | | | |
|---|---|-------------------------------------|
| 1 On when the timer is set | 5 Oven door locked | 8 Touch to start timer mode. |
| 2 On when oven is warming up | 6 Touch to toggle through cooking time & oven set temp | Hold to turn oven light on/off |
| 3 3 bars displayed when oven reaches set temperature | 7 Touch to toggle through the timer modes | 9 End time icon |
| 4 On when oven cooling down | | 10 Cook time icon |
| | | 11 Time of day icon |

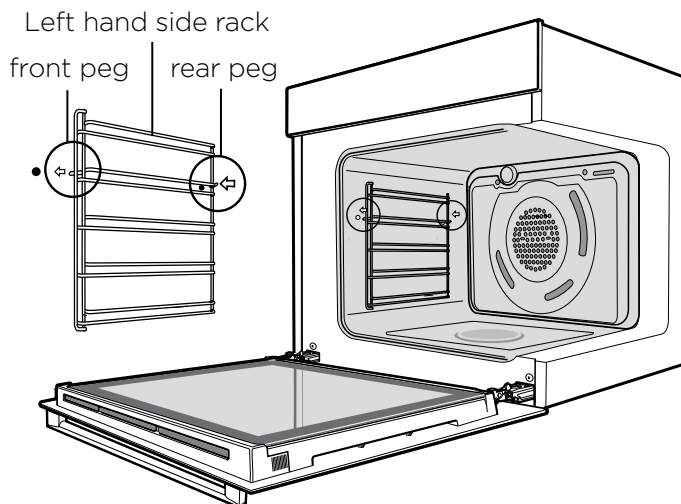
Set...

Installing the oven accessories

1. Insert side racks

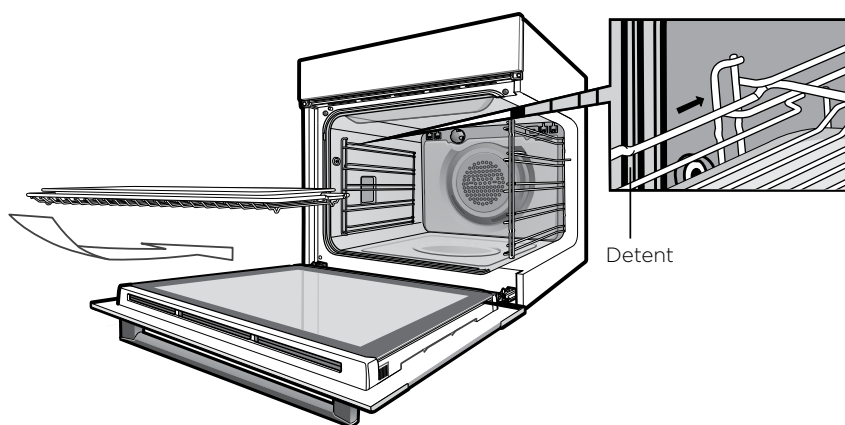
There is a left hand and right hand version (see image for details).

1. Insert the rear peg into the rear access hole provided, ensuring that the peg is fully inserted.
2. Then locate the front peg into the front access hole and push in firmly. Telescopic slides can be purchased separately.



2. To fit a shelf or tray to side racks:

1. Locate the rear edge of the shelf/tray in between 2 guide rails of the side rack - see diagram.
2. Align the shelf to the same rail positions on both sides, with the front edge raised, begin to slide the shelf into the oven.
3. When fully inserted the shelf/tray should not interfere with the closed oven door.



Set the time

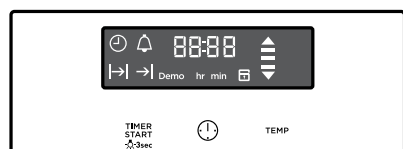
You must set the time before you can operate your appliance.

When power is supplied to the oven, the clock icon will be displayed. Along with the ⌚ clock symbol the “12” will be flashing. This indicated that the “hour” portion of the time is ready to be changed.

Toggle the temperature selector **-** or **+**, then touch ⌚ when you have the right hour.

The minutes will flash and can be set in the same manner. 5 seconds after the last change, the clock display will stop flashing, confirming that the time has been set.

NOTE: The clock has a 24-hour display.

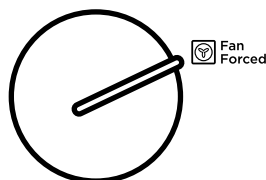


Condition the oven (to burn off any residue)

New appliances can have oil or residue left from manufacturing. You will need to heat your oven for 30 minutes before using it for the first time.

1. Turn the function selector dial to Fan forced
2. Using the temperature selector, set the oven at 180°C for approximately 30 minutes. Please ensure that the room is well ventilated during this process.

Upper Function
Off



Go!

You're ready to use your new Westinghouse appliance. A few tips from us:

Remember to pre-heat each time.

For best cooking results pre-heat the oven. Pre-heating allows the oven to reach the required temperature quickly and efficiently as well as cook food at the correct temperature for the entire cook time. Recommended pre-heat time is 30 mins for baking and 3 minutes for grilling.

Choose the right program for the best result:

**FAN
FORCED**



This setting is best used when cooking on multiple shelves at once or reheating complete meals for your family.

**FAN &
GRILL**



When cooking large cuts of meat, this setting gives you result that is similar to 'roisserie' cooked meat. When using 'Fan Grill' it is not necessary to turn food over during the cooking cycle. Set temperature to 180°C and cook with the oven door closed.

GRILL



When it comes to cooking tender cuts of meat, steak, chops, sausages, fish, cheese toasties and other quick cooking foods the grill setting will get you the best results. By preheating your grill for 3 minutes this will help in sealing in the natural juices for a better flavour. Grill with the oven door closed.

AIRFRY



AirFry for that perfect, healthy crunch. When a food craving hits, make healthier and delicious food right in your oven. Deliver all the flavour and none of the guilt. AirFry allows you to make healthier tasty meals for the entire family - right in your oven. The only range with AirFry.

**EASY BAKE
+ STEAM**



Steam helps you get a better rise, crispier crust, a fluffier centre and tastier textures for all your bread, pastries, cakes, scones and puddings at home.

Refer to your full user manual for more details on oven functions.

Set your temperature
Upper cavity

Toggle the temperature selector (left **−** or right **+**) as required to set the desired cooking temperature in °C.

Note: the temperature can be adjusted at any time throughout the cooking time.

Lower cavity

To set the temperature, turn the temperature selector in a clockwise direction to the desired setting.

Once the food is cooked, turn the temperature selector back in an anti-clockwise direction.

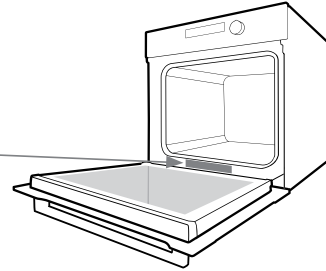
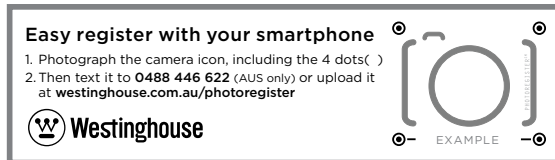
Note: The desired cooking function must be selected before the oven will turn on.

Quick Start Guide

WVEP627 oven series

Easily register your product with your smartphone for quick access to all services and downloads

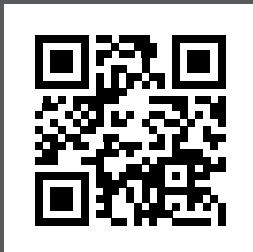
Step 1

 Locate the label on the inside of your product door

Step 2

 Photograph the camera icon, including the 4 dots ()

Step 3

 Text image to **0488 446 622** (AUS only) or upload at **westinghouse.com.au/photoregister**

Need more help?

To access your detailed user manual online, simply scan the QR code on your smart phone.



Customer Care Centre

Contact us if you need more help

Electrolux Home Products Australia

telephone: 13 13 49
email: customercare@electrolux.com.au
web: electrolux.com.au

Electrolux Home Products New Zealand

telephone: 0800 436 245
email: customercare@electrolux.co.nz
web: electrolux.co.nz