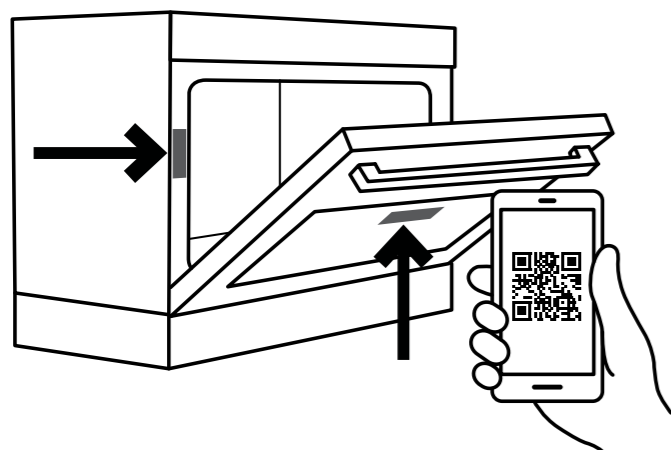


**Enjoy peace of mind.
Register your appliance today.**

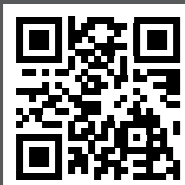
Stay updated on better living services, safety notices and shop for accessories.

- 1. Open the camera app on your smartphone and point at the QR code to scan**
Product Registration QR code is located on the front of your appliance or inside the door rim*.



- 2. Tap the notification or link to open the registration form**
- 3. Complete your details and enjoy peace of mind**

*Exact location of QR code may vary depending on oven model



Need more help?

To access your detailed user manual online, simply scan the QR code on your smart phone. If you prefer a printed manual, please contact our Customer Care Centre using details below.



Contact us if you need more help

Electrolux Home Products Australia

telephone: 13 13 49
email: customercare@electrolux.com.au
web: electrolux.com.au

Electrolux Home Products New Zealand

telephone: 0800 436 245
email: customercare@electrolux.co.nz
web: electrolux.co.nz

Dear Customer,

Thank you for purchasing a Westinghouse appliance. You have chosen a product that comes from a history of durable and reliable products loved by many families. We look to help you make the most of your time at home, so you can spend your time doing what you really love, with the ones you love.

Welcome to Westinghouse.

Ready



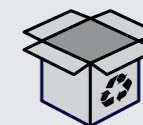
This is a Quick Start Guide. Please refer to user manual online for detailed information and installation

To access your detailed user manual online, simply scan the QR code on your smart phone.

For more detailed information and installation guide refer to user manuals at westinghouse.com.au/manuals

Before you start, please make sure:

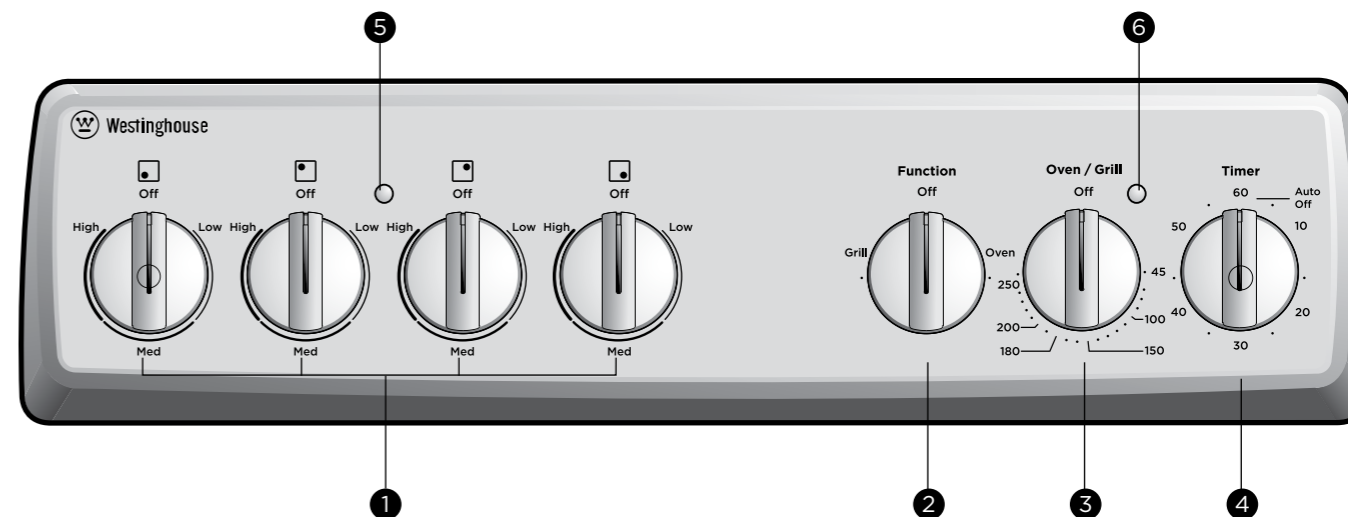
- Your oven has been correctly installed by a qualified person.
- Your oven has power and is switched on.
- You've removed all relevant packaging.



Most of the packaging materials can be recycled. Please dispose of them at your local recycling centre or in your own recycling bin.

Set...

Get to know your control panel:



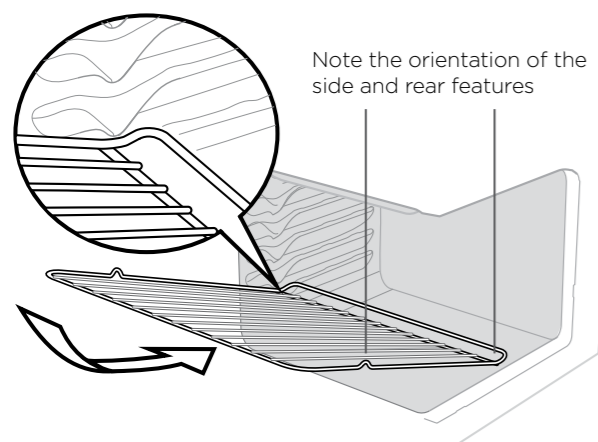
- | | | |
|---|--|-------------------------------------|
| 1 Radiant cooktop temperature control knob | 3 Grill/oven temperature control knob | 5 Cooktop indicator light |
| 2 Grill/oven function selector knob | 4 60 minute timer | 6 Grill/oven indicator light |

Set...

Installing the accessories

1. Fitting the oven shelves

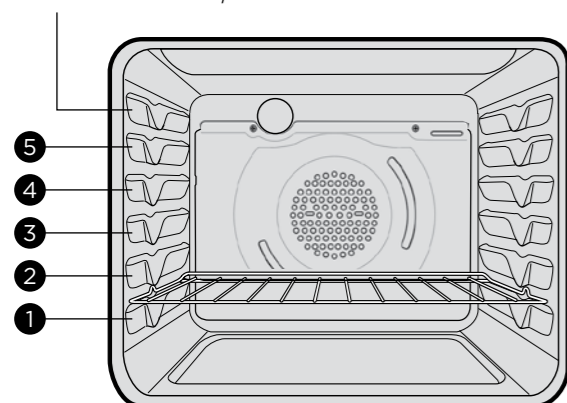
1. Ensure shelf orientation is correct (refer to diagram below).
2. Slide the oven shelves on to the oven supports (side runners) at an angle, until the raised back of shelf is past the stop on oven supports (side runners).
3. Lower the front of shelf and push it in until stop is reached.
4. To remove oven shelves, withdraw to the stop and raise the front of shelf to clear the stop.



Note the orientation of the side and rear features

Oven shelf location

Note: the top ledge is not a shelf position. There are no stops for shelf withdrawal.

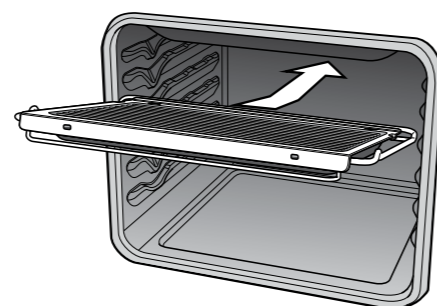


The 5 shelf positions

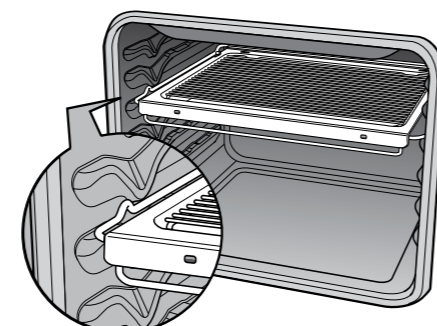
2. Grill in oven

The grill dish with wire insert can be used in any of the two upper height positions (shelf positions 4 and 5) between the runners.

Note: You must remove the grill dish when baking in the oven.



Grill dish insertion



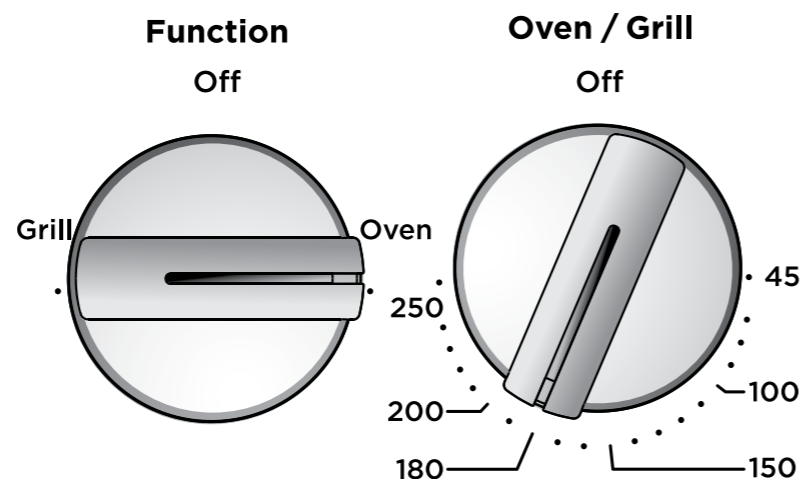
Grill dish final position

Condition the oven

(to burn off any residue)

New appliances can have oil or residue left from manufacturing. You will need to heat your oven for 30 minutes before using it for the first time.

1. Turn the function selector dial to "Oven".
2. Using the "Grill/oven" temperature control knob, set the oven at 180°C for approximately 30 minutes. Please ensure that the room is well ventilated during this process.



Go!

You're ready to use your new Westinghouse appliance. A few tips from us:

Remember to pre-heat each time.

For best cooking results pre-heat the oven. Pre-heating allows the oven to reach the required temperature quickly and efficiently as well as cook food at the correct temperature for the entire cook time. Recommended pre-heat time is 30 minutes for baking and 3 minutes for grilling.

Choose the right program for the best result:

RADIANT COOKTOP

The high-speed radiant cooktop heat rapidly from a cold start, saving you both power and time.

OVEN

In a conventional electric oven heat comes from two elements, one above and one below the food. The bottom element is hidden below the floor of the oven. The centre shelf is ideal for baking at precise temperatures.

GRILL

When it comes to cooking tender cuts of meat, steak, chops, sausages, fish, cheese toasties and other quick cooking foods, the grill setting will give you the best results. Pre-heating your grill for 3 minutes will help in sealing in the natural juices of the food for better flavour. Grill with the oven door closed.

Refer to your full user manual for more details on oven functions.

Set your temperature

- To set the temperature, turn the "Grill/oven" control knob in a clockwise direction to the desired setting.
- An indicator light in the display will turn on and oven will begin to heat.
- Once the food is cooked, turn the "Grill/oven" control knob back in an anti-clockwise direction.

Note: The desired cooking function must be selected before the oven will turn on. The oven indicator light cycles on and off once the desired temperature is reached.

Set a Timer

- The "60 minute timer" control knob (where fitted) sets a reminder time.
- To set the timer, simply turn the knob clockwise to the required number of minutes.
- When timer returns to zero, the timer will give a short ring.

Note: For any time below 15 minutes, turn the knob past 15 minutes, then back to required time setting.