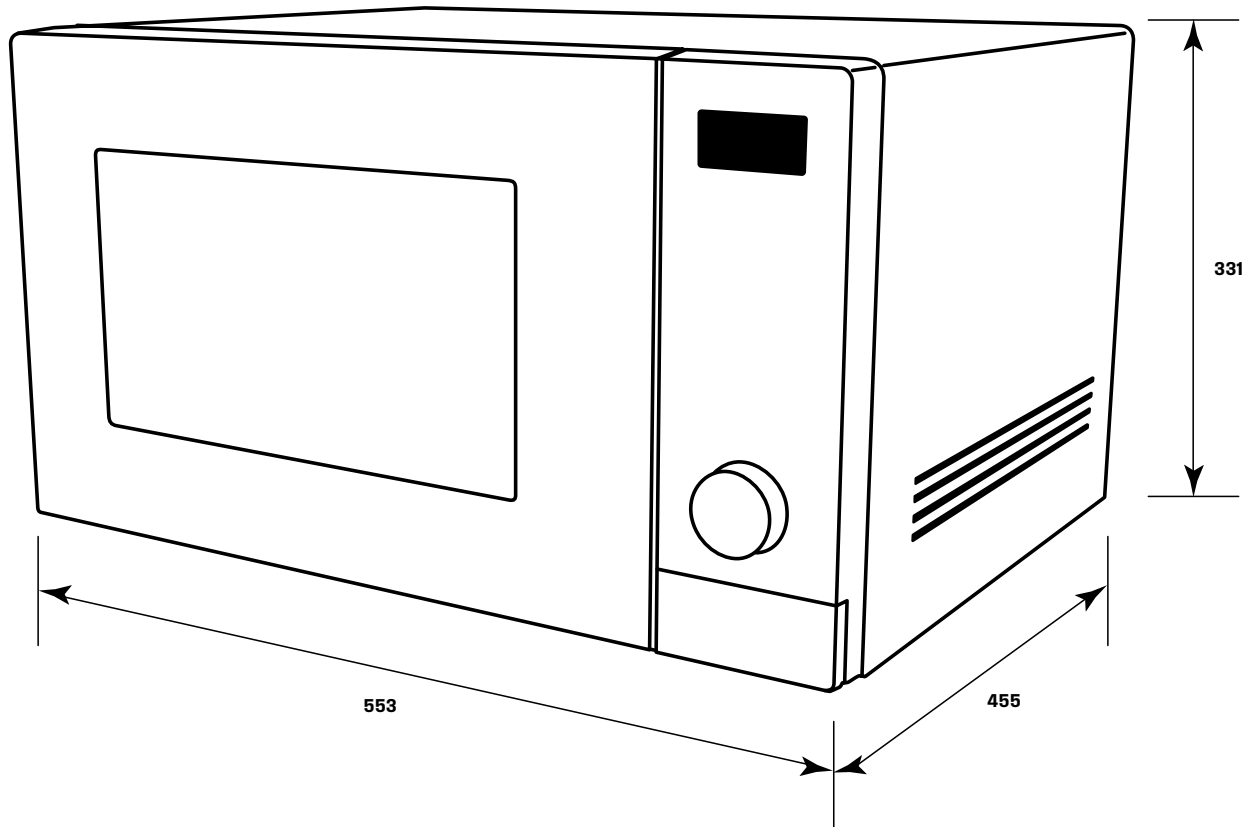


**Microwave**  
WMF4505GA**Product WxHxD (mm)**

553 x 331 x 455

**IMPORTANT**

These dimensions are a guide only. All measurements are in millimetres (mm).  
For complete installation instructions, refer to the manual provided with product.

© 2023 Electrolux Home Products Pty Ltd. ABN 51 004 762 341. WHS\_DIM\_Aspire\_Plus\_WMf4505GA\_Apr23