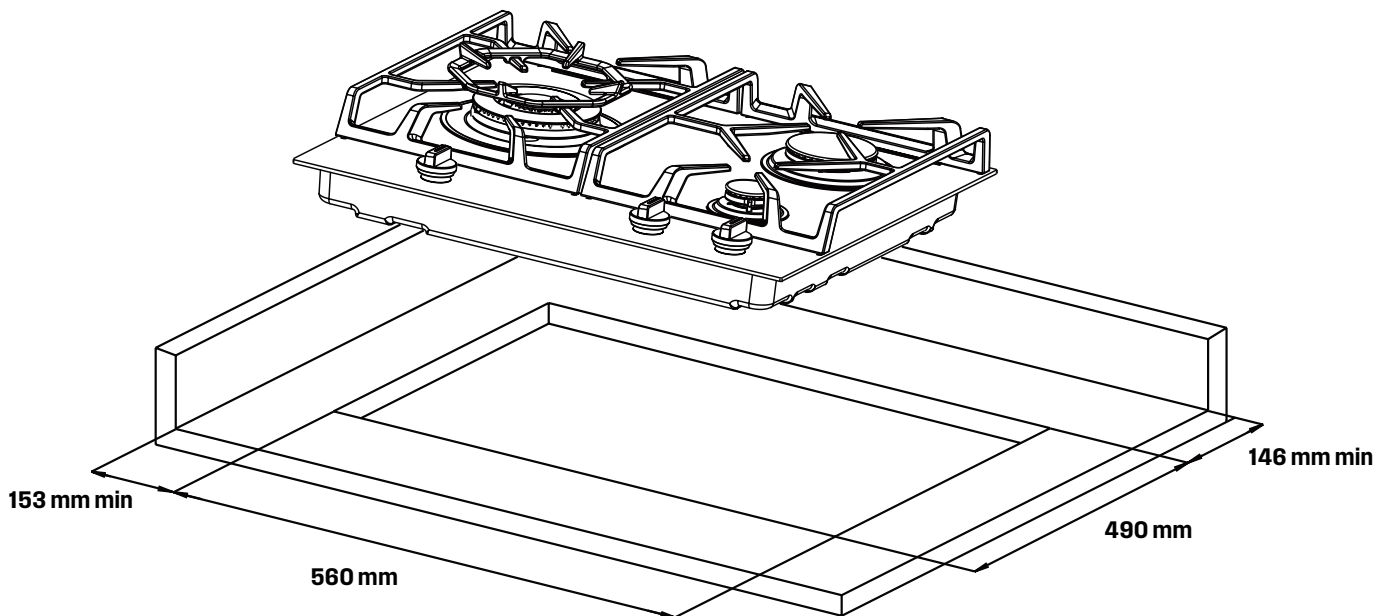


60cm gas cooktop

WHG639BD



NOTE: Distances shown to adjacent walls/surfaces are for the distance to a combustible surface. If the surface is not combustible the measurement can be smaller than that shown.

Product (below bench) WxDxH (mm)	595 x 530 x 58
Cut-out WxD (mm)	560 x 490
Gas supply location	Left

IMPORTANT

These dimensions are a guide only. All measurements are in millimetres (mm). For complete installation instructions, refer to the manual provided with product.