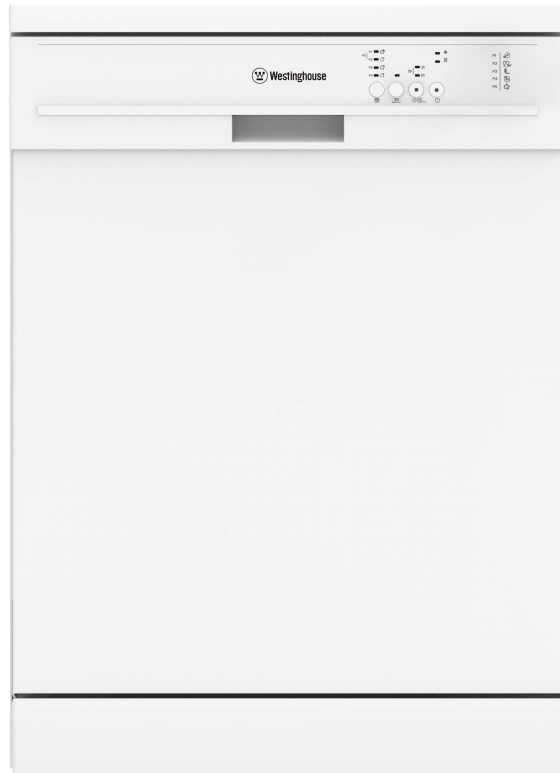




User Manual

WSF6602WB



DO NOT RETURN THIS PRODUCT TO THE STORE.

If you have questions or need assistance, please call customer service.

Contact details can be found on the last page of user manual.

CONGRATULATIONS

Congratulations and thank you for choosing our product. We are sure you will find your new appliance a pleasure to use and a great asset to your cooking. Before you use the appliance, we recommend you read through the whole user manual which provides a description of the product and its functions.

To make the best use of your new appliance, it is important that the appliance is installed correctly and that you read the safety instructions carefully to avoid misuse and hazards. We recommend that you keep this instruction booklet for future reference and pass it on to any future owners. This appliance complies with the requirements of Australian Standard AS/NZ 60335.2.5.

Conditions of use

This appliance is intended to be used in household and similar applications such as:

- Staff kitchen areas in shops, offices and other working environments
- Farm houses
- By clients in hotels, motels and other residential type environments
- Bed and breakfast type environments.

Record model and serial number here:

Model:

Serial number:

TIPS AND INFORMATION

Important: Check for any damage or marks.

If you find the dishwasher is damaged or marked, you must report it within 7 days if you wish to claim for damage/marks under the manufacturer's warranty.

This does not affect your statutory rights.

IMPORTANT INFORMATION THAT MAY IMPACT YOUR MANUFACTURER'S WARRANTY

Adherence to the directions for use in this manual is extremely important for health and safety. Failure to strictly adhere to the requirements in this manual may result in personal injury, property damage and affect your ability to make a claim under the Westinghouse manufacturer's warranty provided with your product. Products must be used, installed and operated in accordance with this manual. You may not be able to claim on the Westinghouse manufacturer's warranty in the event that your product fault is due to failure to adhere this manual.

CONTENTS

Important safety instructions	3
Recycling	3
Safety information	3
Recommendations	4
Items not suitable for dishwashing	4
Description of your appliance	5
Technical specifications	5
The Control Panel	6
Changing a program	7
Cancelling a program	7
Installig The Machine	8
Positioning the machine	8
Water connection	8
Water inlet hose	8
Water drain hose	8
Water drain hose	9
Electrical Connection	9
Filling with rinse aid and setting	9
Preparing The Machine For Use	11
Prior to using the machine for the first time	11
Detergent usage	11
Filling the detergent compartment	11
Combined detergent	11
When you STOP using combined detergents	12
Filling with rinse aid and setting	12
Loading your dishwasher	13
Upper Basket	13
Alternative modular basket position	14
Program descriptions	16
Program items	16
Maintenance and Cleaning	17
Filters	17
Spray arms	17
Drain Pump	17
Failure codes and what to do in case of failure	18
Troubleshooting	19
Warranty	20



ENVIRONMENTAL TIPS

Information on disposal for users

- Most of the packaging materials are recyclable. Please dispose of those materials through your local recycling depot or by placing them in appropriate collection containers.
- If you wish to discard this product, please contact your local authorities and ask for the correct method of disposal.

IMPORTANT SAFETY INSTRUCTIONS

These warnings have been provided in the interest of safety. You **MUST** read them carefully before installing or using the appliance.

Please read the user manual carefully and store in a handy place for later reference. Pass the user manual on to possible new owners of the appliance.

If you need assistance, contact your Customer Care Department. The manufacturer will not accept liability, should these instructions or any other safety instructions incorporated in this book be ignored.



WARNING

This symbol indicates information concerning your personal safety.



TIPS AND INFORMATION

This symbol indicates tips and information about use of the appliance.



ENVIRONMENTAL TIPS

This symbol indicates tips and information about economical and ecological use of the appliance.

Recycling

- Certain components and the packaging of your machine have been produced from recyclable materials.
- Plastic parts are marked with international abbreviations: (>PE<, >PS<, >POM<, >PP<,)
- Cardboard parts have been produced from recycled paper and they should be disposed of into waste paper collection containers for recycling.
- These materials should not be disposed of into garbage bins. They should be delivered to recycling centres instead.
- Contact relevant centres in order to obtain information on methods and points of disposal.

Safety Information

When you take delivery of your machine

- Check for any damage to your machine or to its packaging. Never start a damaged machine, make sure to contact an authorised technician.
- Unwrap the packaging materials as indicated and dispose of them in accordance with the rules.

The points to pay attention during machine installation

- Choose a suitable, safe and level location to install your machine.
- Carry out the installation and connection of your machine by following the instructions.
- This machine should be installed and repaired by an authorised technician only.
- Only original spare parts should be used with the machine.
- Before commencing the dishwasher installation, be sure that the machine is unplugged.

- Check whether the indoor electrical fuse system is connected according to the regulations.
- Make sure that the electrical information on the rating plate is the same as the power supply. If not, contact an electrician.
- Always use a correctly installed shockproof socket.
- Make sure not to cause damage to the mains plug and to the mains cable. Should the mains cable need to be replaced, this must be carried out by our
- Authorised Service Centre.
- Connect the mains plug to the mains socket only at the end of the installation. Make sure that there is access to the mains plug after the installation.
- Do not pull the mains cable to disconnect the appliance. Always pull the mains plug.
- If the supply cord is damaged, it must be replaced by the manufacturer, its Authorised Service Centre or similarly qualified persons in order to avoid a hazard.
- Pay special attention and make sure that the machine does not crush the power cord.
- Never use an extension cord or a multiple socket to make a connection. The plug should be easily accessible after the machine has been installed.
- After installing the machine, run it unloaded for the first time.

In daily use

- Do not use water spray and steam to clean the appliance.
- Do not stand, sit or place a load on the open door of the dishwasher, it may fall over.
- Only use detergents and rinse aids which are produced specifically for dishwashers. Otherwise Electrolux does not take any responsibility for damage that might occur to your machine.



WARNING

The water in the machine's washing section is not drinking water, do not drink it.

Due to danger of explosion, do not put into the machine's washing section any chemical agents such as solvents.

- Check whether plastic items are heat-resistant before washing them in the machine.
- Do not put into your machine those items which are not suitable for dishwashing. Also, do not overload basket.
- The machine door should not be opened while the machine is in operation, to avoid the risk of hot water spraying out. A safety device ensures that the machine stops if the door is opened.

SAFETY INFORMATION AND RECOMMENDATIONS



WARNING

Do not leave your dishwasher's door open, this may lead to accidents and injury.



RISK OF INJURY OR PERMANENT DISABILITY

Place knives and other sharp ended objects in the cutlery basket in the point down position.

- This appliance is not intended for use by persons (including children) with reduced physical, sensory or mental capabilities, or lack of experience and knowledge, unless they have been given supervision or instruction concerning use of the appliance by a person responsible for their safety.

For your children's safety

- After removing the machine's packaging, make sure that the packaging material is out of reach of children.
- Do not allow children to play with or start the machine.
- Keep your children away from detergents and rinse aids.
- Keep children away from the machine while it is open because there may still be residues of cleaning substances inside the machine.
- Be sure that your old machine does not pose any threat to children. Remove the dishwasher door lock and power supply cord.

In case of malfunctioning

- Any malfunction in the machine should be repaired by qualified persons. Any repair work performed by anyone other than the authorised service personnel will cause your machine to be left outside the scope of warranty.
- Prior to any repair work on the machine, be sure to unplug the dishwasher from the power supply. Do not pull by the cable when unplugging. Make sure to turn off the water tap.

Recommendations

- For energy and water saving, remove coarse residues on your dishes before placing the dishes into the machine. Start your machine after having fully loaded it.
- Use the pre-wash program only whenever necessary.
- Place items such as bowls, glasses and pots into the machine face down.

Items not suitable for dishwashing:

- Cigarette ashes, candle leftovers, polish, paint, chemical substances, iron-alloy materials;
- Forks, spoons and knives with wooden or bone, ivory or nacre-coated handles; glued items, items soiled with abrasive, acidic or

base chemicals;

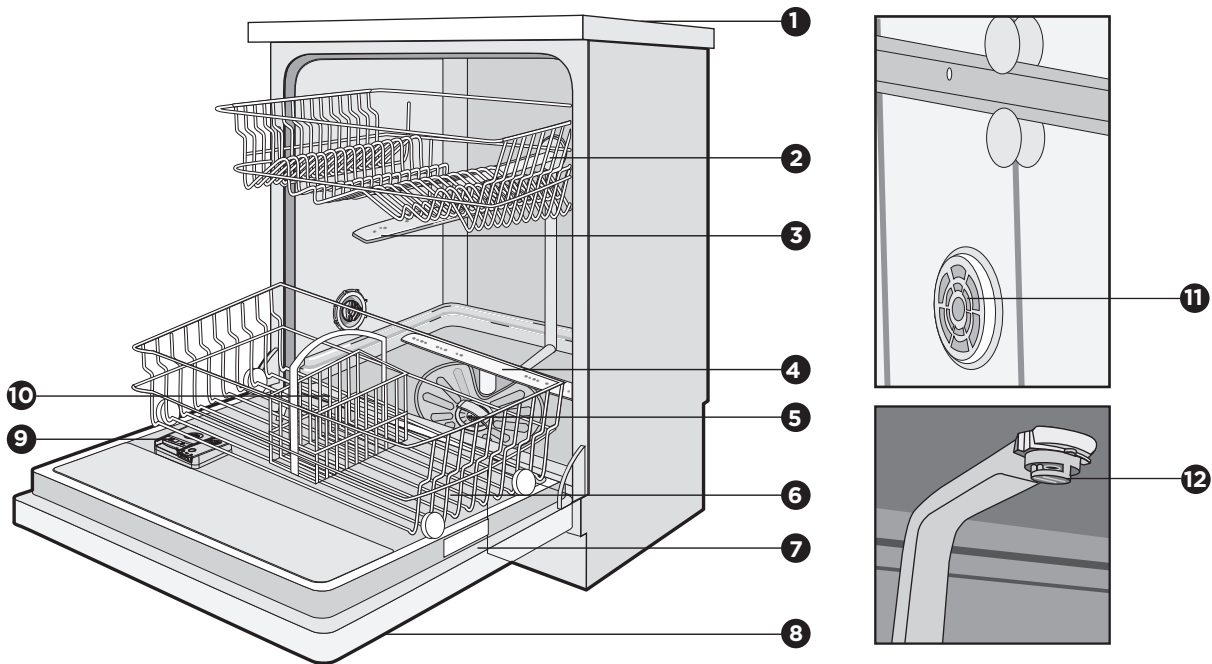
- Plastic items that are not heat-resistant, copper or tin coated containers;
- Aluminium and silver objects (they may discolour, become dull);
- Certain delicate glass types, porcelains with ornamental printed patterns (may fade even after the first wash); certain crystal items (may lose their transparency over time), laminated cutlery that is not heat-resistant, lead crystal glasses, cutting boards, items manufactured with synthetic fibre;
- Absorbent items such as sponges or kitchen rags are not suitable for dishwashing.



WARNING

Some dishwasher detergents are strongly alkaline. They can be extremely dangerous if swallowed. Avoid contact with the skin and eyes and keep children away from the dishwasher when the door is open. Check that the detergent compartment is empty after completion of wash cycle.

DESCRIPTION OF YOUR APPLIANCE



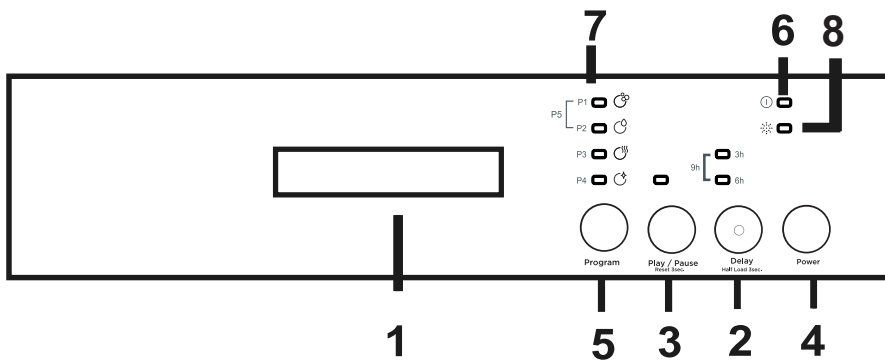
- | | |
|---------------------------|-------------------------------------|
| 1 Worktop | 7 Rating plate |
| 2 Upper basket with racks | 8 Control panel |
| 3 Upper spray arm | 9 Detergent and rinse-aid dispenser |
| 4 Lower spray arm | 10 Cutlery basket |
| 5 Filters | 11 Turbo Drying unit |
| 6 Lower basket | 12 Ceiling spray rose |

TECHNICAL SPECIFICATIONS

Capacity	14 place settings
Height	850 mm
Height (without worktop)	820* mm
Width	598 mm
Depth	598 mm
Net weight	43.5 kg
Electricity input	220-240 V, 50 Hz
Total power	1900 W
Heating power	1800 W
Pump power	100W
Drain pump power	30 W
Water supply pressure	0.03 MPa (0,3 bar) - 1 MPa (10 bar)
Water supply temperature	5 - 60°C
Current	10 A

- Electrolux reserves the right to amend design and technical specifications.
- Do not use this appliance with power and temperature specifications different to those indicated.
- Do not change the specification of this appliance, with counterweight and insulation removed

THE CONTROL PANEL



By pressing On/Off button(4), power on the machine. On/Off lamp lights as long as the machine is on. Select the suitable program by pressing Program button(5).

Press Start/Pause button (3) to start the program. Start/ Pause lamp becomes off and Wash lamp turns on.If you open the door of your machine while program is continuing, Start/Pause lamp will blink and related washing step lamp is on.

Program flow can be monitored via Wash,Rinse Dry and End lamps (7) on control panel. Machine remains silent for about 40-50 minutes when the drying lamp is on.

NOTE: Pressing Delay and Half load button(2) for 3 seconds activates half load option which shortens the durations of the programs that you have selected and reduce the energy and water consumption.

If you have used an extra feature(delay or half load) (2) on the latest washing program, this feature will remain active also on the next washing program. If you want to cancel this feature on the newly selected washing program, press Delay and Half load button (2) until related lamps are off or turn the machine off with On/Off button (4). If you would like to use extra feature with newly selected program, select the desired functions.

NOTE: You can delay start time of the program for 3-6-9 hours by pressing delay button (2) before program starts. If you want to change delay time,first press Start/Pause button and then Delay button to select new delay time. To activate new delay time, press Start/Pause button. To to cancel the delay, you need to press Delay button until all delay lamps are off.

NOTE: If user switches the machine to off position after selecting the delay time and the program has started, delayed time is cancelled.

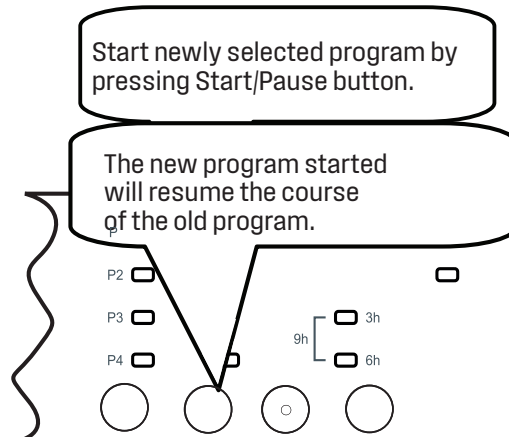
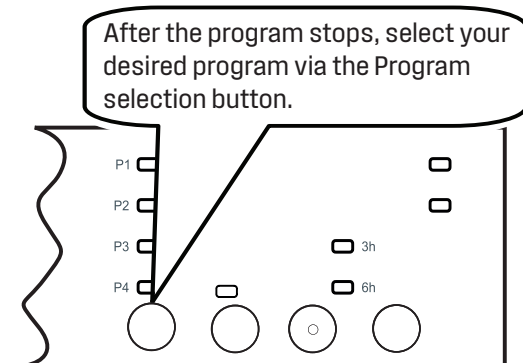
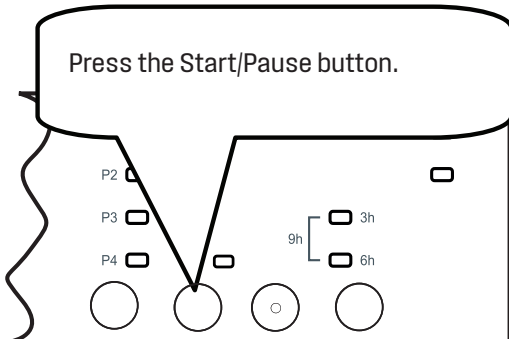
NOTE: Power On indicator (6) will be on during the machine is energized.

NOTE: When rinse aid is not enough, rinse aid lack warning indicator (8) turns on and you need to fill in rinse aid chamber.

THE CONTROL PANEL

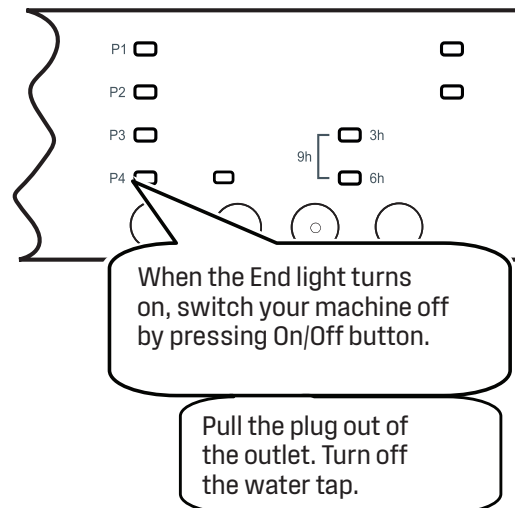
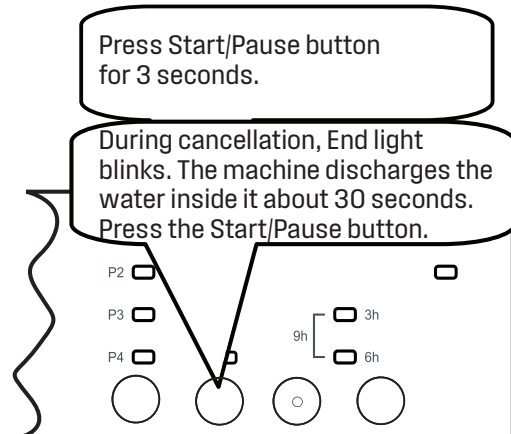
Changing a program

If you would like to change the program while washing is continuing.



Cancelling a program

If you would like to cancel a program while washing is continuing.



NOTE: Do not open the door before the program is complete.

NOTE: Leave the door slightly open at the end of a wash program to speed up the drying process.

NOTE: If the door of the machine is opened or the power is cut off during a wash program, the program will continue when the door is closed or when the power returns.

NOTE: If the power is interrupted or if the machine door is opened during the drying process, the program will terminate and your machine will now be ready for a new program selection.

INSTALLING THE MACHINE

Positioning the machine

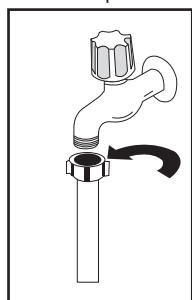
- When considering the location for the dishwasher, ensure that there is adequate space to enable loading and unloading of the dishes
- Do not put your machine in any location where the ambient temperature can fall below 5°C.
- Before positioning, take the machine out of its packaging by following the warnings located on the package.
- Position the machine close to a water tap and drain. You need to position your machine, taking into consideration that its connections will not be altered once they are made.
- Do not grip the machine by its door or panel in order to move it.
- Take care to leave a certain clearance from all sides of the machine so that you can comfortably move it back and forth during cleaning.
- Make sure that the water inlet and outlet hoses do not get squeezed while positioning the machine. Also, make sure that the machine does not stand on the electrical cable. Adjust the machine's feet so that it is level and stable. Proper positioning of the machine ensures problem-free opening and closing of its door.
- If the door of your machine does not close properly, check if the machine is stable on the floor; if not, adjust the feet and ensure it is level and stable.

Water connection

Ensure that the indoor plumbing is suitable for installing a dishwasher and complies with AS/NZS 3500.1. Also, we recommend that you fit a filter at the entrance of your place or apartment so as to avoid any damage to your machine because of any contamination (sand, clay, rust etc) that might be occasionally carried in through the main's water supply or the indoor plumbing, and to avoid problems of staining and formation of deposits after washing.

Water inlet hose

Do not use the water inlet hose of your old machine, you must use the new water inlet hose supplied with your machine. Before connecting the water inlet hose to the water tap, ensure clean water is flowing from the tap before making the connection. Connect the water inlet



hose directly to the water inlet tap. The pressure supplied by the tap should be at a minimum of 0.03 MPa and at a maximum of 1 MPa. If the water pressure is above 1 MPa, a pressure-relief valve should be installed.



WARNING
Only turn the locking nut to secure hose - do not turn the hose.

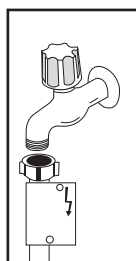
- The first time you use the appliance, make sure that there is no leakage.
- The water inlet hose has a safety valve and a sheath with an inner mains cable.

After the connections are made, the tap should be turned on fully and checked for water tightness. For the safety of your machine, make sure to always turn off the water inlet tap after each wash program is



WARNING

NOTE: Aquastop inlet hose has components using 240V. Do not cut Aquastop inlet hose. Do not let it get folded, twisted, kinked or crushed.



WARNING

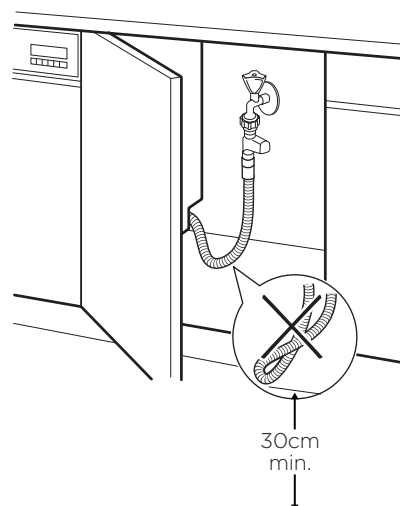
NOTE: A water tempering valve is required if the water temperature is over 60°C.



CAUTION

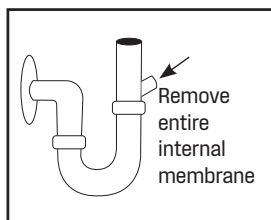
Always use new hoses when you connect the appliance to the water mains. Old hoses must not be used. The water inlet hose must be examined at an interval of twelve months for deterioration and replaced if necessary.

In order to pass the safety valve through the kitchen cabinets, an opening of at least 45mm x 90mm is needed.



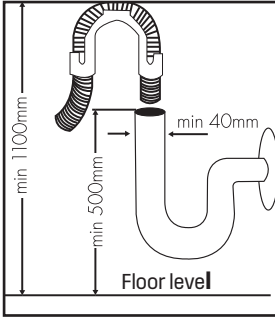
Water drain hose

If you connect the water drain hose to a trap spigot under the sink, remove the plastic membrane. If you do not remove the entire membrane, remaining food can cause a blockage in the drain hose spigot. Ensure a hose clamp is used to secure the hose to the spigot.



INSTALLING THE MACHINE

Water drain hose



The water drain hose can be connected either directly to the water drain hole or to the sink outlet spigot. Using a hose hook (if available), the water can be drained directly into the sink by positioning the hose hook over the edge of the sink.

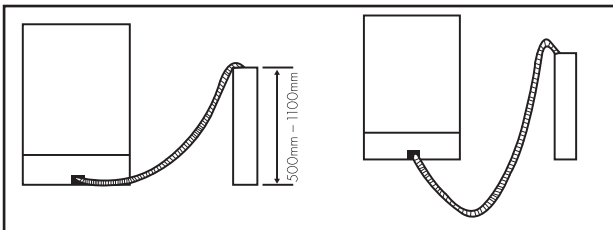
This connection should be at a minimum of 50 cm and at a maximum of 110 cm above the base

of the dishwasher.



WARNING

Maximum drain hose length is 4m. Longer hose length will prevent correct draining, and result in poor wash performance.



☑
(correct)

☒
(incorrect)



WARNING

Electrical Connection

The plug of your machine should be connected to an earthed outlet that supplies suitable voltage and current. If there is no earthing installation, have a competent electrician carry out an earthing installation. In case of usage without earthing installed, our company will not be responsible for any loss of usage that might occur.

The indoor fuse current value should be 10-16 A.

Your machine is designed for 220-240 V. The machine should not be plugged in during installation.

Always use the molded plug supplied with your machine.

Running in low voltage will cause a decline in washing quality.

The machine's electrical cable should be replaced by an authorised service or an authorised electrician only. Failure to do so may lead to accidents.

For safety purposes, always make sure to disconnect the plug when a wash program is finished.

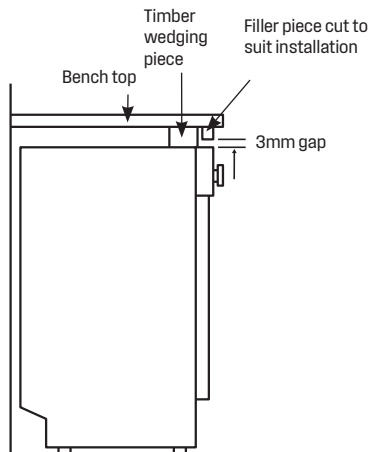
In order not to cause an electric shock, do not unplug when your hands are wet.

When disconnecting your machine from the mains supply, always pull from the plug. Never pull the cord itself.

Fitting the machine undercounter

If you wish to fit your machine undercounter, check whether you have sufficient space under your countertop and whether the wiring-plumbing is suitable to do so.

To ensure the stability of the dishwasher for an underbench installation, if the underbench dimension is greater than 820mm, any gap between the dishwasher and the underside of the benchtop should be bridged with a packing piece. This may be achieved by wedging a piece of timber between the dishwasher and the benchtop as shown



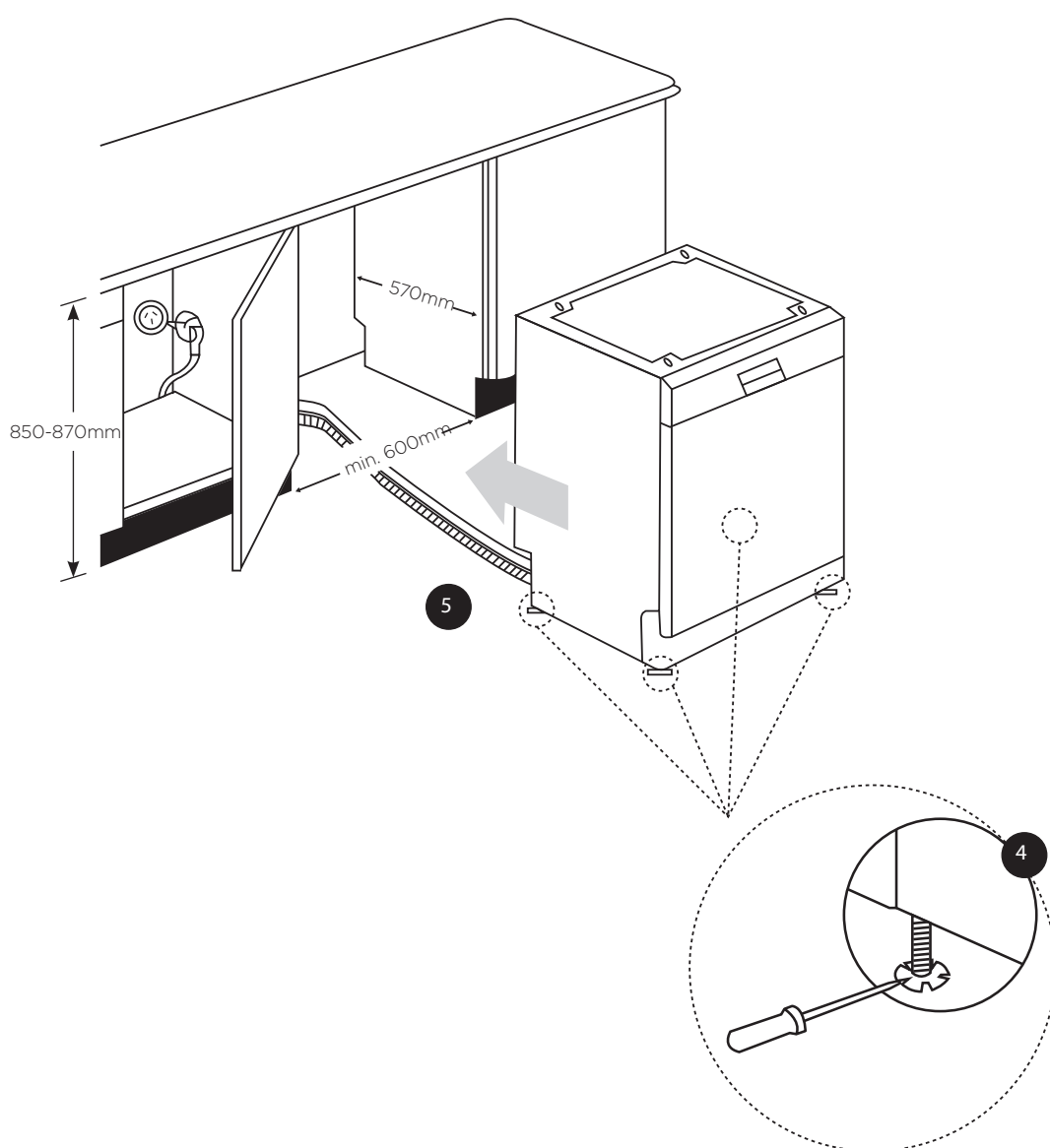
INSTALLING THE MACHINE

- 1 Adjust the machine feet according to the slope of the floor.
- 2 Fit your machine by pushing it undercounter without letting the hoses get crushed or bent.



WARNING

Ensure the opening for the dishwasher is according to the following dimensions.



PREPARING THE MACHINE FOR USE

Prior to using the machine for the first time

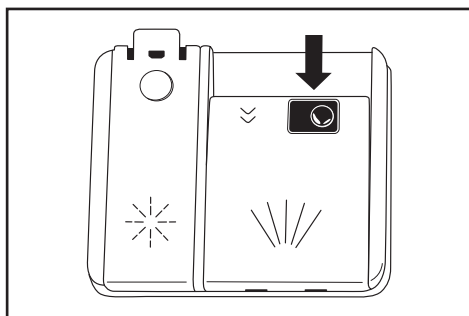
- Check whether the electricity and water supply specifications match the values indicated by the installation instructions for the machine.
- Remove all packaging materials inside the machine.
- Fill the rinse aid compartment.

Detergent usage

Use a detergent specifically designed for use in domestic dishwashers. You can find powder, gel, and tablet detergents in the market that have been designed for household dishwashers. Detergent should be put into the compartment prior to starting the machine. Keep your detergents in cool, dry places out of reach of your children. Do not fill detergent into the detergent compartment more than required; otherwise it may etch your glasses as well as leaving undissolved detergent in the dishwasher. Should you need more information concerning the detergent to use, contact detergent manufacturers directly.

Filling the detergent compartment

Push the latch to open the detergent container as shown in the image.

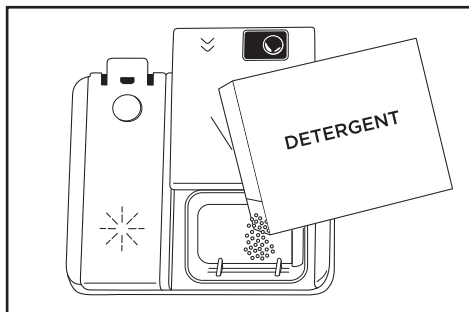


The Detergent pod has level lines inside. It is possible to measure the right detergent amount using these lines.

The detergent pod can take a maximum of 40cm³ detergent.

Open the dishwasher detergent pod and pour 25cm³ if your dishes are heavily soiled or 15cm³ if they are less soiled.

You may have to add more detergent into your machine, depending on the degree of soil and the water hardness in your area.



If your dishes are from the previous day and there is dried food waste on them, or if you have fully loaded the dishwasher, pour 5cm³ detergent onto the base of the door and start your machine.

Combined detergent

Detergent manufacturers also produce combined detergents called "2 in 1", "3 in 1" or "5 in 1" etc.

"2 in 1" detergents contain detergent or rinse aid. When using "2 in 1" detergent make sure to check the specifications of the tablet.

Other tablet detergents contain detergent + rinse aid + various extra functions/additives.

Generally, combined detergents produce acceptable results under certain usage conditions only. These detergents contain rinse aid in preset amounts.

Points to consider when using these type of products:

- Always make sure to check the specifications of the detergent you will use or whether or not it is a combined detergent.
- Check if the detergent used is appropriate for the hardness of mains water.
- Observe the instructions on packaging when using such products.
- If detergents are in the form of tablets, never put them into the interior section or the cutlery basket of the dishwasher. Always put the tablets into the detergent compartment in the detergent dispenser.
- Tablets produce good results for certain types of usage only. If you are using this type of detergent, you need to contact the manufacturer and find out about the suitable conditions of use.
- When the conditions of use of such products and the machine settings are appropriate, they ensure savings in rinse aid consumption.
- Contact the detergent manufacturers if you are not obtaining good wash results (if your dishes have limescale and stay wet) after having used 2 in 1 or 3 in 1 detergents. The scope of warranty for your machine does not cover any complaints caused by the use of these types of detergents.

Recommended usage: If you want to obtain better results while using combined detergents, add rinse aid into your machine and adjust the rinse aid setting to the lowest position.

Solubility of the tablet detergents produced by different companies can vary depending on the temperature and time. Therefore, it is not recommended to use these detergents in short programs. It is more suitable to use powder detergents and rinse aid in short programs.



WARNING

Should any problem occur which you have not encountered before, with the use of these types of detergents, contact the detergent manufacturers directly.

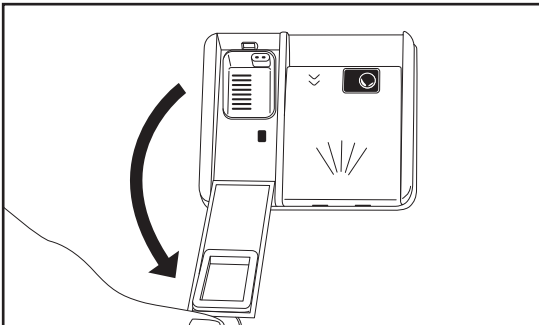
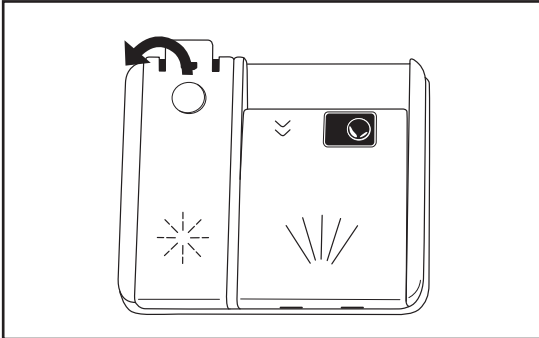
PREPARING THE MACHINE FOR USE

When you STOP using combined detergents

- Fill the rinse aid compartments.
- Select a suitable rinse aid setting.

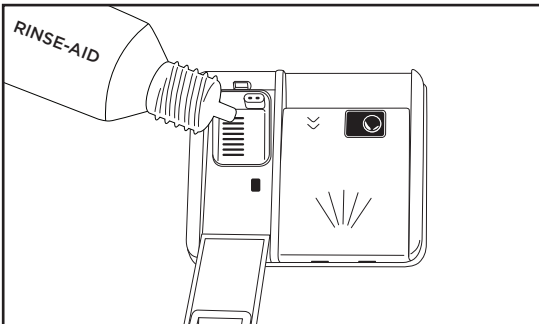
Filling with rinse aid and setting

To fill the rinse aid compartment, open the rinse-aid compartment cap.



Fill the compartment with rinse aid until MAX level and then close the cap.

Be careful not to overfill the rinse aid compartment and wipe up any spills.



In order to set rinse aid level, follow below steps:

Push the program button and hold it down.

Turn on the machine.

Hold down the program button until the LEDs flash once.

The machine will display the last setting.

Set the level by pushing the program button.

Switch off the machine to save the setting.

The factory setting is "4".

If the dishes are not drying properly or are spotted, increase the rinse-aid level. If blue stains form on your dishes, decrease the rinse-aid level.

Level	Brightener Dose	Indicator
1	Rinse-aid not dispensed	Wash LED is on.
2	1 dose is dispensed	Rinse LED is on.
3	2 doses are dispensed	Dry LED is on.
4	3 doses are dispensed	End LED is on.
5	4 doses are dispensed	Wash and End LEDs are on.



TIPS AND INFORMATION

Only use rinse aid suitable for automatic dishwashers.

As rinse aid residues left as a result of overflowing will create extremely high amounts of foam and reduce the washing performance, remove the excess amount of rinse aid by wiping it with a cloth. Remove all excess rinse aid if spilt while filling.

LOADING YOUR DISHWASHER

Correctly loaded dishes will result in the best energy consumption, washing and drying performance. There are two separate baskets for you to load your dishes into your machine. You can load into the lower basket round and deep items as pots with long handles, pot lids, plates, salad plates, and cutlery sets.

The upper basket has been designed for tea plates, dessert plates, salad bowls, cups and glasses. When placing long-stem glasses and goblets, lean them against the basket edge, rack or glass support wire and not against other items. Do not lean long glasses against one another if they are unsupported, they may break. It is more appropriate to locate the thin narrow parts into the middle sections of baskets. You can place spoons among the other cutlery sets in order to prevent them from sticking to one another. You are recommended to use the cutlery grid in order to obtain the best result. To avoid any possible injuries, always place such long-handle and sharp-pointed items such as serving forks, bread knives etc. with their sharp points facing down or horizontally on the baskets.



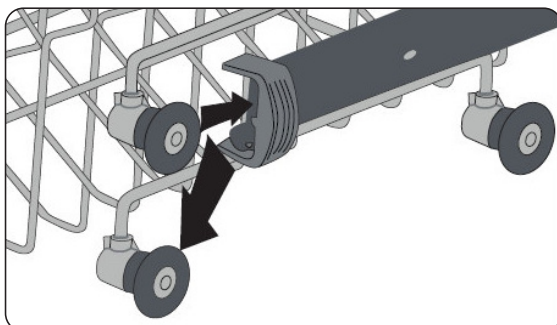
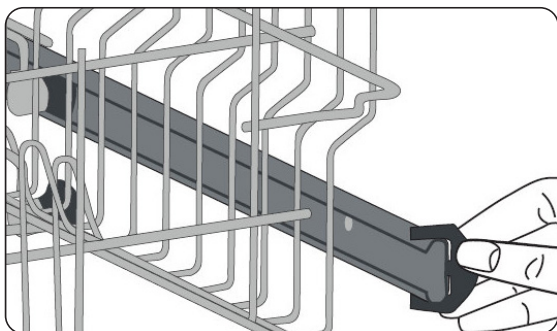
TIPS AND INFORMATION

Ensure the position of the dishware does not prevent the upper or lower spray arm from turning.

Upper Basket

Height adjustment

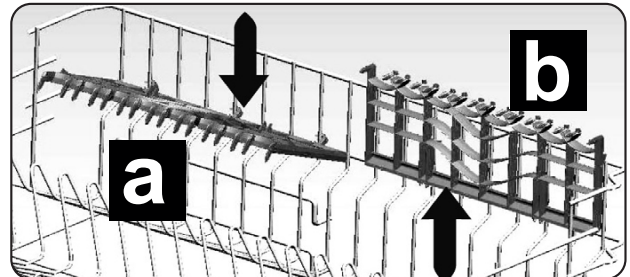
Turn the Rail Stop Clips, at the ends of the rails, to the sides to open them (as shown in the image below), then pull out and remove the basket. Change the position of the wheels, then reinstall the basket to the rail, making sure to close the Rail Stop Clips. When the upper basket is in the higher position, large items such as pans can be placed on the lower basket.



Top basket

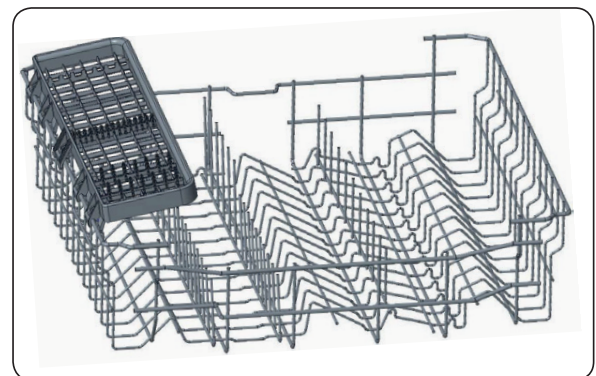
Fixed Rack

Upper basket racks have two positions: open (a) and closed (b). You can place cups on the racks to be washed. You can also place long forks, knives and spoons on the racks laterally.



Upper Basket Knife Holder (varies by model)

Thanks to the knife holder in the upper baskets, it is possible to store kitchen utensils such as bread knives and ladles. You can wash it easily.

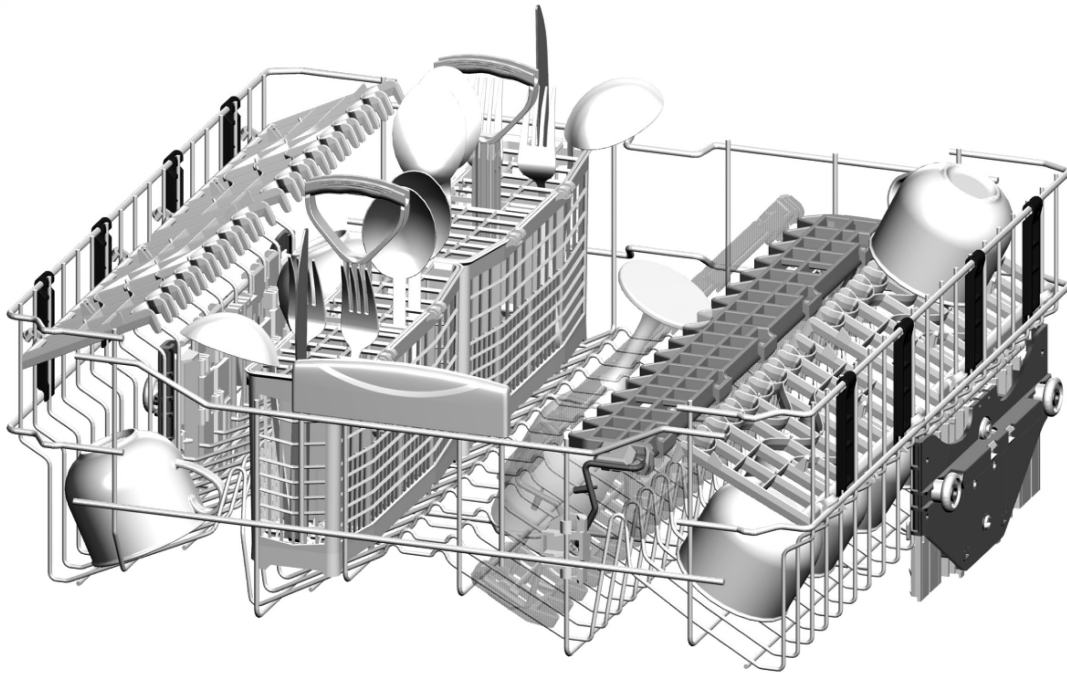


When you do not want to use it, you can remove the upper basket knife shelf by pulling it upwards.

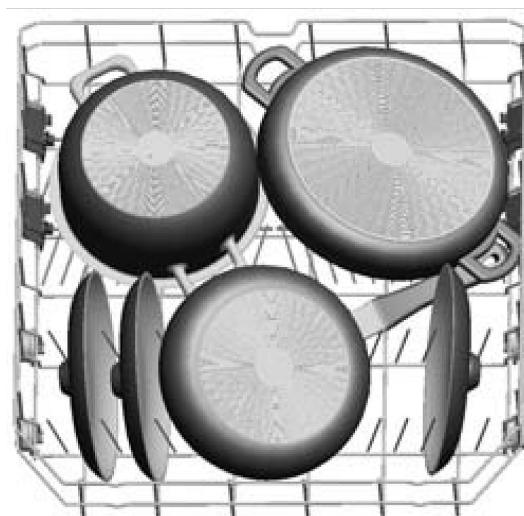
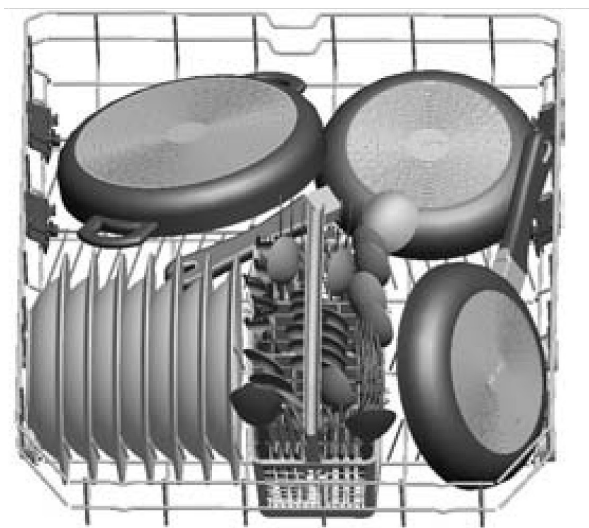


LOADING YOUR DISHWASHER

Alternative modular basket position

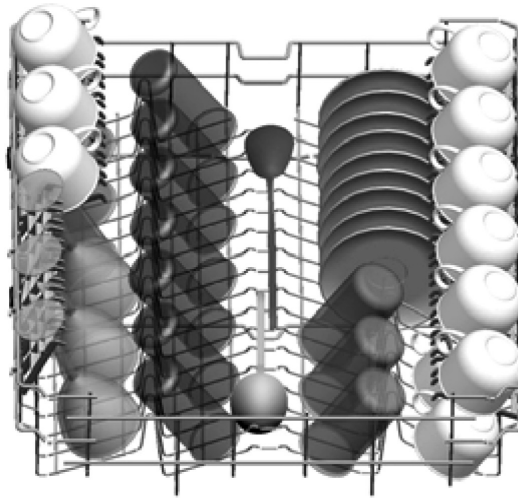


Alternative basket loads
Lower Basket



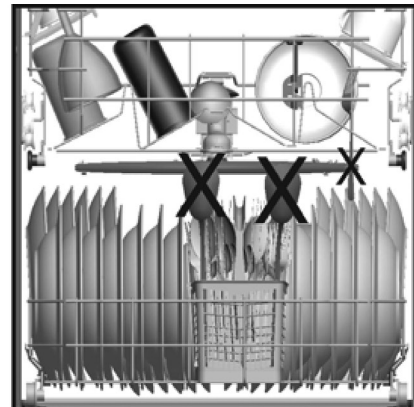
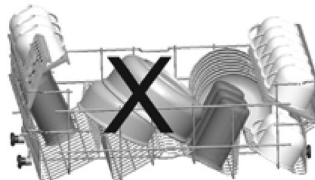
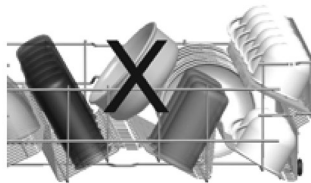
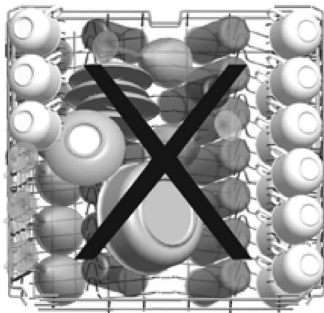
LOADING YOUR DISHWASHER

Top Basket



TIPS AND INFORMATION

Examples of incorrect loading



PROGRAM DESCRIPTIONS

Program items

NAME OF PROGRAM	FAST 30'	DELICATE 40°C	ECO*	TIMESAVE	SENSORWASH
TYPE OF FOOD SOILS	Suitable for lightly soiled dishes and quick wash.	Suitable for lightly soiled delicate dishes.	Standard program for normally soiled daily using dishes with reduced energy and water consumptions.	Suitable for normally soiled daily dishes with faster program.	Auto program for normally and heavily soiled dishes.
PROGRAM TIME (MINS)	30	74	220	50	185 - 204

NOTE: PROGRAM DURATION MAY CHANGE ACCORDING TO THE AMOUNT OF DISHES, TAP WATER, AMBIENT TEMPERATURE AND SELECTED ADDITIONAL FUNCTIONS.

- Only use powder detergent in short programs.
- Short programs do not include a drying step.
- To assist drying, we recommend partially opening the door after the program has finished.

Information for test laboratories

For all the necessary information for performance testing, send an email to dishwasher@standardtest.info
In your mail please provide the model number and PNC number that is on the rating plate on the appliance door.

MAINTENANCE AND CLEANING

Cleaning your dishwasher is important to maintain the machine's service life

Oil and limescale may build up in your Dishwasher over time. If this occurs:

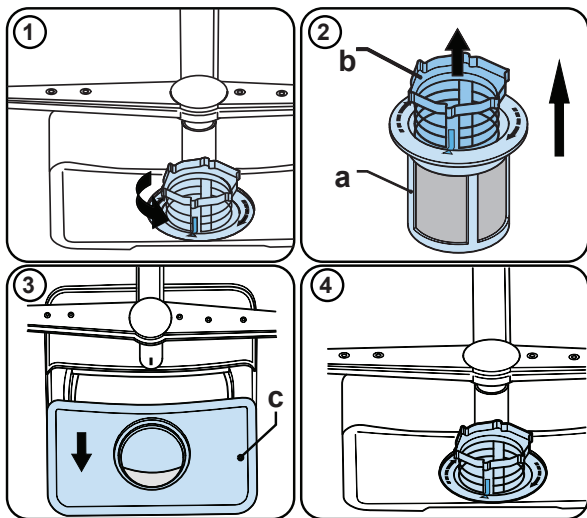
Fill the detergent compartment but do not load any dishes. Select a program which runs at high temperature and run the Dishwasher empty. If this does not clean your Dishwasher sufficiently, use a cleaning agent designed for use with dishwashers. To extend the life of your dishwasher, clean the appliance regularly on each month.

Wipe the door seals regularly with a damp cloth to remove any accumulated residue or foreign objects.

Filters

Clean the filters and spray arms at least once a week. If any food waste remains or foreign objects on the coarse and fine filters, remove them and clean them thoroughly with water.

- a) Micro Filter b) Coarse Filter
c) Metal Filter

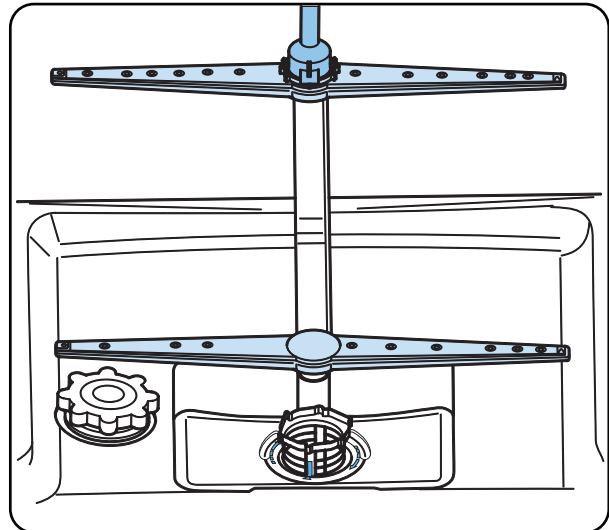


To remove and clean the filter combination, turn it counter clockwise and remove it by lifting it upwards **(1)**. Pull the coarse filter out of the micro filter **(2)**. Then pull and remove the metal filter **(3)**. Rinse the filter with lots of water until it is free of residue. Reassemble the filters. Replace the filter insert, and rotate it clockwise **(4)**.

- Never use your dishwasher without a filter.
- Incorrect fitting of the filter will reduce the washing effectiveness.
- Clean filters are necessary for proper running of the machine.

Spray arms

Make sure that the spray holes are not clogged and that no food waste or foreign object is stuck to the spray arms. If there is any clogging, remove the spray arms and clean them under water. To remove the upper spray arm undo the nut holding it in position by turning it clockwise and pulling it downwards. Make sure that the nut is properly tightened when refitting the upper spray arm.



Drain Pump

Large food residues or foreign objects which were not captured by the filters may block the waste water pump. The rinsing water will then be above the filter.

⚠ Warning Risk of cuts!

When cleaning the waste water pump, ensure that you do not injure yourself on pieces of broken glass or pointed implements.

In this case:

1. First always disconnect the appliance from the power supply.
2. Take out baskets.
3. Remove the filters.
4. Scoop out water, use a sponge if required.
5. Check the area and remove any foreign objects.
6. Install filters.
7. Re-insert baskets.

FAILURE CODES AND WHAT TO DO IN CASE OF FAILURE

TROUBLE CODE					POSSIBLE FAULT	WHAT TO DO
Wash	Rinse	Dry	End	Start/Pause		
			☀	☀	Water inlet system failure	Make sure the water inlet tap is open and that water is flowing.
						Separate the inlet hose from the tap and clean the filter of the hose.
						Contact for service if the error continues.
				☀	Pressure system failure	Contact for service.
	☀		☀		Continuous water inlet	Close for tap and contact the service
		☀	☀		Inability to discharge water	Water discharge hose and filters may be clogged.
						Cancel the program.
						If the error continues, contact for service.
☀		☀	☀		Faulty heater	Contact for service.
	☀	☀			Overflow	Unplug the machine and close the tap.
						Contact for service.
☀	☀	☀	☀		Faulty electronic card	Contact for service.
☀		☀			Overheating	Contact for service.
☀			☀		Faulty heater sensor	Contact for service.
☀	☀		☀		High voltage failure	Contact for service.
☀	☀				Low voltage failure	Contact for service.

The installation and repairing procedures should always be carried out by the Authorised Service Agent in order to avoid possible risks. The manufacturer shall not be held liable for damages that may arise from procedures carried out by unauthorised persons. Repairs may be carried out by technicians only. If a component has to be replaced, ensure that only original spare parts are used.

Improper repairs or use of non-original spare parts may cause considerable damage and put the user at considerable risk.

Contact information for your customer service can be found on the back of this document.

Function-relevant genuine spare parts according to the corresponding Ecodesign order can be obtained from Customer Service for a period of at least 10 years from the date on which your appliance was placed on the market within the European Economic Area.

TROUBLESHOOTING

PROBLEM	SOLUTION
If one of program monitor lights is on and start/pause light is flashing	<ul style="list-style-type: none"> Your machine's door is open, shut the door.
If the program won't start	<ul style="list-style-type: none"> Check if the plug is connected. Check your indoor fuses. Be sure that the water inlet tap is turned on. Be sure that you have closed the machine door. Be sure that you switched off the machine by pressing the Power On/Off button. Be sure that the water inlet filter and the machine filters are not clogged. First time use: Check if the drain spigot's membrane has been removed or spigot blocked. Check if the delay start has been selected - reset.
If detergent residues are left in the detergent compartment	<ul style="list-style-type: none"> Detergent has been added when the detergent compartment was wet. A large dish in the lower basket has blocked the dispenser door.
If water is left inside the machine at the end of the program	<ul style="list-style-type: none"> The water drain hose is clogged or twisted. The filters are clogged. The program is not finished yet.
If the machine stops during a wash operation	<ul style="list-style-type: none"> Power failure. Water inlet failure. Program can be on standby mode.
If shaking and hitting noises are heard during a wash operation	<ul style="list-style-type: none"> Dishes placed incorrectly. Spray arm hitting the dishes.
If there are partial food wastes left on the dishes	<ul style="list-style-type: none"> Dishes placed incorrectly into the machine, sprayed water did not reach related places. Basket over loaded. Dishes leaning against one another. Very small amount of detergent added. An unsuitable, rather weak wash program selected. Spray arm clogged with food wastes. Filters clogged. Filters incorrectly fitted. Water drain pump clogged.
If there are whitish stains on the dishes	<ul style="list-style-type: none"> A very small amount of detergent is being used. Rinse aid dosage setting at a very low level.
If the dishes won't dry up	<ul style="list-style-type: none"> A program without a dry operation selected. Rinse aid dosage set too low. Dishes unloaded too fast.
If there are rust stains on the dishes	<ul style="list-style-type: none"> Stainless-steel quality of the dishes washed is insufficient. Unhealthy mains grounding.

Call an authorised service centre if the problem still persists after the controls or in case of any malfunction not described above.



FOR SALES IN AUSTRALIA AND NEW ZEALAND
 APPLIANCE: WESTINGHOUSE DISHWASHERS

This document sets out the terms and conditions of the product warranties for Westinghouse Appliances. It is an important document. Please keep it with your proof of purchase documents in a safe place for future reference should there be a manufacturing defect in your Appliance. This warranty is in addition to other rights you may have under the Australian Consumer Law.

1. In this warranty:

- (a) 'ACL' or 'Australian Consumer Law' means Schedule 2 to the Competition and Consumer Act 2010;
- (b) 'Appliance' means any Electrolux product purchased by you and accompanied by this document;
- (c) 'ASC' means Electrolux's authorised serviced centres;
- (d) 'Westinghouse' is the brand controlled by Electrolux Home Products Pty Ltd of 163 O'Riordan Street, Mascot NSW 2020, ABN 51 004 762 341 in respect of Appliances purchased in Australia and Electrolux (NZ) Limited (collectively "Electrolux") of 3-5 Niall Burgess Road, Mount Wellington, in respect of Appliances purchased in New Zealand;
- (e) 'Warranty Period' means the period specified in clause 3 of this warranty;
- (f) 'you' means the purchaser of the Appliance not having purchased the Appliance for re-sale, and 'your' has a corresponding meaning.

2. Application: This warranty only applies to new Appliances, purchased and used in Australia or New Zealand and is in addition to (and does not exclude, restrict, or modify in any way) other rights and remedies under a law to which the Appliances or services relate, including any non-excludable statutory guarantees in Australia and New Zealand.

3. Warranty Period: Subject to these terms and conditions, this warranty continues for in Australia for a period of 24 months and in New Zealand for a period of 24 months, following the date of original purchase of the Appliance.

4. Repair or replace warranty: During the Warranty Period, Electrolux or its ASC will, at no extra charge if your Appliance is readily accessible for service, without special equipment and subject to these terms and conditions, repair or replace any parts which it considers to be defective. Electrolux may, in its absolute discretion, choose whether the remedy offered for a valid warranty claim is repair or replacement. Electrolux or its ASC may use refurbished parts to repair your Appliance. You agree that any replaced Appliances or parts become the property of Electrolux.

5. Travel and transportation costs: Subject to clause 7, Electrolux will bear the reasonable cost of transportation, travel and delivery of the Appliance to and from Electrolux or its ASC. Travel and transportation will be arranged by Electrolux as part of any valid warranty claim.

6. Proof of purchase is required before you can make a claim under this warranty.

7. Exclusions: You may not make a claim under this warranty unless the defect claimed is due to faulty or defective parts or workmanship. This warranty does not cover:

- (a) light globes, batteries, filters or similar perishable parts;
- (b) parts and Appliances not supplied by Electrolux;
- (c) cosmetic damage which does not affect the operation of the Appliance;

- (d) damage to the Appliance caused by:
 - (i) negligence or accident;
 - (ii) misuse or abuse, including failure to properly maintain or service;
 - (iii) improper, negligent or faulty servicing or repair works done by anyone other than an Electrolux authorised repairer or ASC;
 - (iv) normal wear and tear;
 - (v) power surges, electrical storm damage or incorrect power supply;
 - (vi) incomplete or improper installation;
 - (vii) incorrect, improper or inappropriate operation;
 - (viii) insect or vermin infestation;
 - (ix) failure to comply with any additional instructions supplied with the Appliance;

In addition, Electrolux is not liable under this warranty if:

- (a) the Appliance has been, or Electrolux reasonably believes that the Appliance has been, used for purposes other than those for which the Appliance was intended, including where the Appliance has been used for any non-domestic purpose;
- (b) the Appliance is modified without authority from Electrolux in writing;
- (c) the Appliance's serial number or warranty seal has been removed or defaced

8. How to claim under this warranty: To enquire about claiming under this warranty, please follow these steps:

- (a) carefully check the operating instructions, user manual and the terms of this warranty;
- (b) have the model and serial number of the Appliance available;
- (c) have the proof of purchase (e.g. an invoice) available;
- (d) telephone the numbers shown below.

9. Australia: For Appliances and services provided by Electrolux in Australia: Electrolux goods come with guarantees that cannot be excluded under the Australian Consumer Law. You are entitled to a replacement or refund for a major failure and for compensation for any other reasonably foreseeable loss or damage. You are also entitled to have the Appliance repaired or replaced if the Appliance fails to be of acceptable quality and the failure does not amount to a major failure. 'Acceptable quality' and 'major failure' have the same meaning as referred to in the ACL.

10. New Zealand: For Appliances and services provided by Electrolux in New Zealand, the Appliances come with a guarantee by Electrolux pursuant to the provisions of the Consumer Guarantees Act, the Sale of Goods Act and the Fair Trading Act. Where the Appliance was purchased in New Zealand for commercial purposes the Consumer Guarantee Act does not apply.

11. Confidentiality: You accept that if you make a warranty claim, Electrolux and its agents including ASC may exchange information in relation to you to enable Electrolux to meet its obligations under this warranty.

Important Notice

Before calling for service, please ensure that the steps listed in clause 8 above have been followed.

AUSTRALIA	FOR SERVICE or to find the address of your nearest authorised service centre in Australia PLEASE CALL 13 13 49 <small>For the cost of a local call</small>	FOR SPARE PARTS or to find the address of your nearest spare parts centre in Australia PLEASE CALL 13 13 50 <small>For the cost of a local call</small>
NEW ZEALAND	FOR SERVICE or to find the address of your nearest authorised service centre in New Zealand PLEASE CALL 0800 10 66 10	FOR SPARE PARTS or to find the address of your nearest spare parts centre in New Zealand PLEASE CALL 0800 10 66 20

For more information on all Westinghouse appliances, or for dimension and installation information, call into your retailer, phone or email our customer care team or visit our website:


AUSTRALIA

service: 13 13 49
spare parts: 13 13 50
email: customercare@electrolux.com.au
web: westinghouse.com.au

NEW ZEALAND

Customer Care: 0800 436 245
Spare Parts: 0800 106 620
Email: customercare@electrolux.co.nz
Web: westinghouse.co.nz



 Westinghouse are trademarks of Westinghouse Electric Corporation.
Used under license. All Rights Reserved.