



# User Manual

**WSF6606XB**



**DO NOT RETURN THIS PRODUCT TO THE STORE.**

If you have questions or need assistance, please call customer service.  
Contact details can be found on the last page of user manual.

## CONGRATULATIONS

Congratulations and thank you for choosing our product. We are sure you will find your new appliance a pleasure to use and a great asset to your cooking. Before you use the appliance, we recommend you read through the whole user manual which provides a description of the product and its functions.

To make the best use of your new appliance, it is important that the appliance is installed correctly and that you read the safety instructions carefully to avoid misuse and hazards. We recommend that you keep this instruction booklet for future reference and pass it on to any future owners. This appliance complies with the requirements of Australian Standard AS/NZ 60335.2.5.

### Conditions of use

This appliance is intended to be used in household and similar applications such as:

- Staff kitchen areas in shops, offices and other working environments
- Farm houses
- By clients in hotels, motels and other residential type environments
- Bed and breakfast type environments.

#### Record model and serial number here:

Model: .....

Serial number: .....

## TIPS AND INFORMATION

### Important: Check for any damage or marks.

If you find the dishwasher is damaged or marked, you must report it within 7 days if you wish to claim for damage/marks under the manufacturer's warranty.

This does not affect your statutory rights.

#### IMPORTANT INFORMATION THAT MAY IMPACT YOUR MANUFACTURER'S WARRANTY

Adherence to the directions for use in this manual is extremely important for health and safety. Failure to strictly adhere to the requirements in this manual may result in personal injury, property damage and affect your ability to make a claim under the Westinghouse manufacturer's warranty provided with your product. Products must be used, installed and operated in accordance with this manual. You may not be able to claim on the Westinghouse manufacturer's warranty in the event that your product fault is due to failure to adhere this manual.

## CONTENTS

|  |           |
|--|-----------|
| <b>Important safety instructions</b> .....                   | <b>3</b>  |
| Recycling .....  | 3         |
| Safety information .....                                     | 3         |
| Recommendations .....  | 4         |
| Items not suitable for dishwashing .....                     | 4         |
| <b>Description of your appliance</b> .....                   | <b>5</b>  |
| <b>Technical specifications</b> .....                        | <b>5</b>  |
| <b>The Control Panel</b> .....                               | <b>6</b>  |
| Changing a program .....                                     | 7         |
| Cancelling a program .....                                   | 7         |
| <b>Installig The Machine</b> .....                           | <b>8</b>  |
| Positioning the machine .....                                | 8         |
| Water connection .....                                       | 8         |
| Water inlet hose .....                                       | 8         |
| Water drain hose .....                                       | 8         |
| Water drain hose .....                                       | 9         |
| Electrical Connection .....                                  | 9         |
| Filling with rinse aid and setting .....                     | 9         |
| <b>Preparing The Machine For Use</b> .....                   | <b>11</b> |
| Prior to using the machine for the first time .....          | 11        |
| Detergent usage .....  | 11        |
| Filling the detergent compartment .....                      | 11        |
| Combined detergent .....                                     | 11        |
| When you STOP using combined detergents .....                | 12        |
| Filling with rinse aid and setting .....                     | 12        |
| <b>Loading your dishwasher</b> .....                         | <b>13</b> |
| Upper Basket .....   | 13        |
| Alternative modular basket position .....                    | 15        |
| <b>Program descriptions</b> .....                            | <b>16</b> |
| Program items .....  | 16        |
| <b>Maintenance and Cleaning</b> .....                        | <b>17</b> |
| Filters .....  | 17        |
| Spray arms .....   | 17        |
| Drain Pump .....   | 17        |
| <b>Failure codes and what to do in case of failure</b> ..... | <b>18</b> |
| <b>Troubleshooting</b> .....                                 | <b>19</b> |
| <b>Warranty</b> .....  | <b>20</b> |



## ENVIRONMENTAL TIPS

### Information on disposal for users

- Most of the packaging materials are recyclable. Please dispose of those materials through your local recycling depot or by placing them in appropriate collection containers.
- If you wish to discard this product, please contact your local authorities and ask for the correct method of disposal.

## IMPORTANT SAFETY INSTRUCTIONS

These warnings have been provided in the interest of safety. You **MUST** read them carefully before installing or using the appliance.

Please read the user manual carefully and store in a handy place for later reference. Pass the user manual on to possible new owners of the appliance.

If you need assistance, contact your Customer Care Department. The manufacturer will not accept liability, should these instructions or any other safety instructions incorporated in this book be ignored.



### WARNING

This symbol indicates information concerning your personal safety.



### TIPS AND INFORMATION

This symbol indicates tips and information about use of the appliance.



### ENVIRONMENTAL TIPS

This symbol indicates tips and information about economical and ecological use of the appliance.

### Recycling

- Certain components and the packaging of your machine have been produced from recyclable materials.
- Plastic parts are marked with international abbreviations: (>PE<, >PS<, >POM<, >PP<, ....)
- Cardboard parts have been produced from recycled paper and they should be disposed of into waste paper collection containers for recycling.
- These materials should not be disposed of into garbage bins. They should be delivered to recycling centres instead.
- Contact relevant centres in order to obtain information on methods and points of disposal.

### Safety Information

#### When you take delivery of your machine

- Check for any damage to your machine or to its packaging. Never start a damaged machine, make sure to contact an authorised technician.
- Unwrap the packaging materials as indicated and dispose of them in accordance with the rules.

#### The points to pay attention during machine installation

- Choose a suitable, safe and level location to install your machine.
- Carry out the installation and connection of your machine by following the instructions.
- This machine should be installed and repaired by an authorised technician only.
- Only original spare parts should be used with the machine.
- Before commencing the dishwasher installation, be sure that the machine is unplugged.

- Check whether the indoor electrical fuse system is connected according to the regulations.
- Make sure that the electrical information on the rating plate is the same as the power supply. If not, contact an electrician.
- Always use a correctly installed shockproof socket.
- Make sure not to cause damage to the mains plug and to the mains cable. Should the mains cable need to be replaced, this must be carried out by our
- Authorised Service Centre.
- Connect the mains plug to the mains socket only at the end of the installation. Make sure that there is access to the mains plug after the installation.
- Do not pull the mains cable to disconnect the appliance. Always pull the mains plug.
- If the supply cord is damaged, it must be replaced by the manufacturer, its Authorised Service Centre or similarly qualified persons in order to avoid a hazard.
- Pay special attention and make sure that the machine does not crush the power cord.
- Never use an extension cord or a multiple socket to make a connection. The plug should be easily accessible after the machine has been installed.
- After installing the machine, run it unloaded for the first time.

### In daily use

- Do not use water spray and steam to clean the appliance.
- Do not stand, sit or place a load on the open door of the dishwasher, it may fall over.
- Only use detergents and rinse aids which are produced specifically for dishwashers. Otherwise Electrolux does not take any responsibility for damage that might occur to your machine.



### WARNING

The water in the machine's washing section is not drinking water, do not drink it.

Due to danger of explosion, do not put into the machine's washing section any chemical agents such as solvents.

- Check whether plastic items are heat-resistant before washing them in the machine.
- Do not put into your machine those items which are not suitable for dishwashing. Also, do not overload basket.
- The machine door should not be opened while the machine is in operation, to avoid the risk of hot water spraying out. A safety device ensures that the machine stops if the door is opened.

## SAFETY INFORMATION AND RECOMMENDATIONS



### WARNING

Do not leave your dishwasher's door open, this may lead to accidents and injury.



### RISK OF INJURY OR PERMANENT DISABILITY

Place knives and other sharp ended objects in the cutlery basket in the point down position.

- This appliance is not intended for use by persons (including children) with reduced physical, sensory or mental capabilities, or lack of experience and knowledge, unless they have been given supervision or instruction concerning use of the appliance by a person responsible for their safety.

### For your children's safety

- After removing the machine's packaging, make sure that the packaging material is out of reach of children.
- Do not allow children to play with or start the machine.
- Keep your children away from detergents and rinse aids.
- Keep children away from the machine while it is open because there may still be residues of cleaning substances inside the machine.
- Be sure that your old machine does not pose any threat to children. Remove the dishwasher door lock and power supply cord.

### In case of malfunctioning

- Any malfunction in the machine should be repaired by qualified persons. Any repair work performed by anyone other than the authorised service personnel will cause your machine to be left outside the scope of warranty.
- Prior to any repair work on the machine, be sure to unplug the dishwasher from the power supply. Do not pull by the cable when unplugging. Make sure to turn off the water tap.

### Recommendations

- For energy and water saving, remove coarse residues on your dishes before placing the dishes into the machine. Start your machine after having fully loaded it.
- Use the pre-wash program only whenever necessary.
- Place items such as bowls, glasses and pots into the machine face down.

### Items not suitable for dishwashing:

- Cigarette ashes, candle leftovers, polish, paint, chemical substances, iron-alloy materials;
- Forks, spoons and knives with wooden or bone, ivory or nacre-coated handles; glued items, items soiled with abrasive, acidic or

base chemicals;

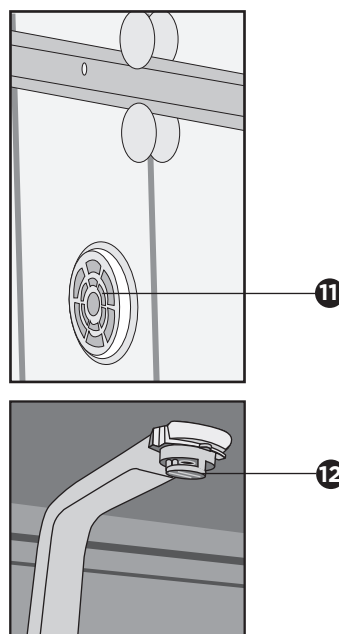
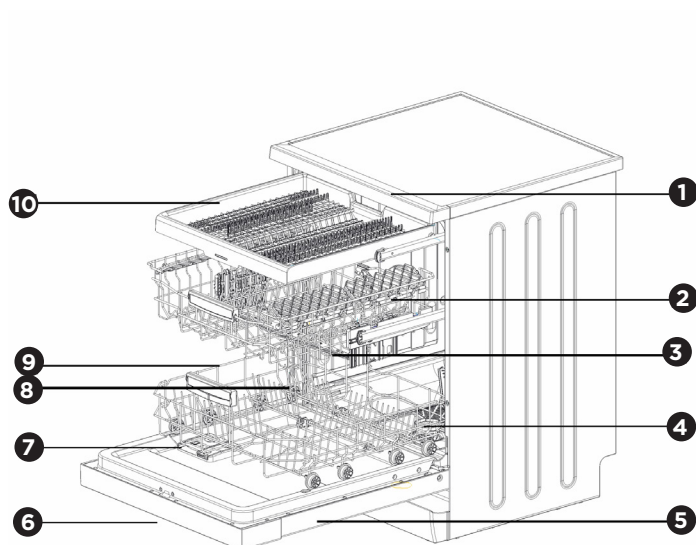
- Plastic items that are not heat-resistant, copper or tin coated containers;
- Aluminium and silver objects (they may discolour, become dull);
- Certain delicate glass types, porcelains with ornamental printed patterns (may fade even after the first wash); certain crystal items (may lose their transparency over time), laminated cutlery that is not heat-resistant, lead crystal glasses, cutting boards, items manufactured with synthetic fibre;
- Absorbent items such as sponges or kitchen rags are not suitable for dishwashing.



### WARNING

Some dishwasher detergents are strongly alkaline. They can be extremely dangerous if swallowed. Avoid contact with the skin and eyes and keep children away from the dishwasher when the door is open. Check that the detergent compartment is empty after completion of wash cycle.

## DESCRIPTION OF YOUR APPLIANCE



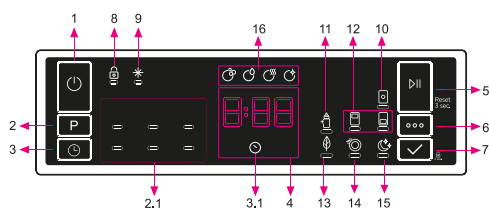
- |                           |                                     |
|---------------------------|-------------------------------------|
| 1 Worktop                 | 7 Detergent and rinse-aid dispenser |
| 2 Upper basket with racks | 8 Lower spray arm                   |
| 3 Upper spray arm         | 9 Lower basket                      |
| 4 Filters                 | 10 Cutlery tray                     |
| 5 Rating plate            | 11 Turbo Drying unit                |
| 6 Control panel           | 12 Ceiling spray rose               |

## TECHNICAL SPECIFICATIONS

|                                |                                     |
|--------------------------------|-------------------------------------|
| Capacity .....                 | 15 place settings                   |
| Height .....                   | 850 mm                              |
| Height (without worktop) ..... | 820* mm                             |
| Width .....                    | 598 mm                              |
| Depth .....                    | 598 mm                              |
| Net weight .....               | 47.5 kg                             |
| Electricity input .....        | 220-240 V, 50 Hz                    |
| Total power .....              | 1900 W                              |
| Heating power .....            | 1800 W                              |
| Pump power .....               | 100W                                |
| Drain pump power .....         | 30 W                                |
| Water supply pressure .....    | 0.03 MPa (0,3 bar) - 1 MPa (10 bar) |
| Water supply temperature ..... | 5 - 60°C                            |
| Current .....                  | 10 A                                |

- Electrolux reserves the right to amend design and technical specifications.
- Do not use this appliance with power and temperature specifications different to those indicated.
- Do not change the specification of this appliance, with counterweight and insulation removed

## THE CONTROL PANEL



1. On/Off Button
2. Program Selection Button
- 2.1. Program Indicators
3. Delay Button
- 3.1. Delay Indicator
4. Remaining Time Indicator
5. Start/Pause Button
6. Options Button
7. Select Button
8. Child Lock Indicator
9. Rinse Aid Indicator
10. Tablet Indicator
11. Extra Hygiene Indicator
12. Half Load Indicators
13. Energy Save Indicator
14. Extra Fast Indicator
15. Extra Silent Indicator
16. Washing Step Indicators
  - a- Washing Step Indicator
  - b- Rinse Step Indicator
  - c- Drying Step Indicator
  - d- End Step Indicator

### 1. On/Off Button

Turn the machine on by pressing the On/Off button.

### 2. Program Selection Button

Select a suitable program by pressing the Program button. The selected program indicator (2.1) will be on. For the details of the programs refer to section Program Table.

### 3. Delay Button

You can delay the start time of the program-me for 1-2...24 hours by pressing the delay button (3) before the program starts. The delay indicator (3.1) will be on. If you want to change the delay time, first press the Start/Pause button and then the delay button to select a new delay time. To activate the new delay time, press the Start/Pause button. To cancel the delay, you need to switch to 0 hour by using the delay when the machine is paused.

### 4. Remaining Time Indicator

Program flow can be monitored via the Wash, Rinse, Dry, End indicators and Remaining Time Indicator.

### 5. Start/Pause Button

Press the Start/Pause button to start the program. The wash lamp turns on and the Remaining Time Indicator shows the program duration. It also indicates the remaining time during the program flow. If you open the door of your machine when the program is running the duration of the program pauses, and related washing step indicator blinks.

### 6. Options Button

Options can be selected by pressing the Options button repeatedly. The chosen option will be indicated by a blinking LED.

### 7. Select Button

Select the option by pressing the Select button. The LED for the chosen option will then remain lit.

### 8. Child Lock Indicator:

Child lock is activated/deactivated by pressing select button (7) for about 3 seconds. When it is activated, all LEDs blink and "CL" is shown on Remaining Time Indicator (4) once. When it is deactivated, all lamps and "CL" blink twice. Child Lock indicator illuminates while the Child Lock is active.

### 9. Rinse Aid Indicator

When the rinse aid level is low, the rinse aid lack warning indicator turns on and you should fill the rinse aid chamber.

### 10. Tablet Indicator

Select the Tablet Detergent function when using a combined detergent that contains salt, rinse aid or other extras. The Tablet Detergent Indicator will remain on for as long as it is selected.

### 11. Extra Hygiene Indicator

Select the Extra Hygiene function to increase the wash temperature, for a maximum hygiene washing operation. The Extra Hygiene Indicator will illuminate.

### 12. Half Load Indicator

Select the Half Load function to choose which area of the dishwasher contains dishes to be washed. You can select both baskets, the upper basket only, or the lower basket only. Press the button until the indicator corresponding to the basket containing the dishes to be washed illuminates. The Half Load Indicator will illuminate while this function is in operation. Dishes placed in other areas will not be washed.

### 13. Energy Save Indicator (Autodoor)

Select the Energy Save option to enable Autodoor opening at the end of the program, to increase drying efficiency. This function also saves energy by operating at a lower temperature.

### 14. Extra Fast Indicator

Select the Extra Fast function to decrease the duration of a program, providing more economical water usage. The Extra Fast Indicator will illuminate.

### 15. Extra Silent Indicator

Select the Extra Silent function for a more sensitive and silent washing operation. The Extra Silent Indicator will illuminate. This option reduces the sound pressure level of the washing.

### 16. Washing Step Indicators

The display will show the indicator corresponding to the status of the program in operation. While the Drying indicator is on, the machine will remain silent with respect to the program you have selected for 15 to 100 minutes.

- \* Wash
- \* Rinse
- \* Dry
- \* End



**NOTE:** If you switch the machine to off position after selecting the delay time and the program has started, the delayed time is cancelled.

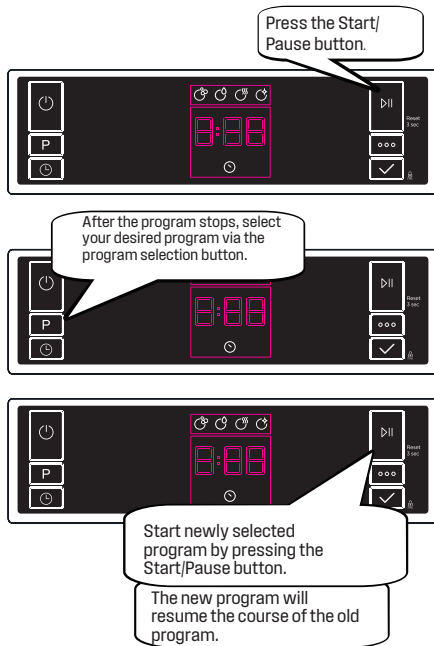


**NOTE:** To save any program as favourite program, press program selection (2) and delay (3) buttons at the same time. To select favourite program, press program selection button (2) for 3 seconds.

## THE CONTROL PANEL

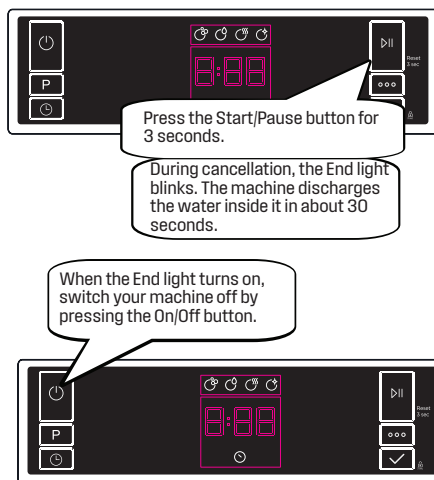
### Changing a program

If you would like to change the program when the machine is already running.

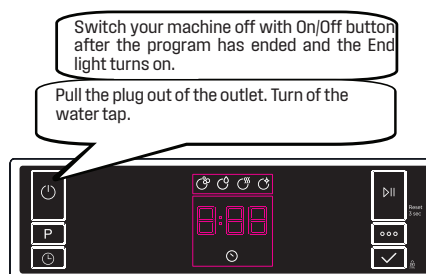


### Cancelling a program

If you would like to cancel a program when it is running.



### Switching the Machine Off



**NOTE:** Do not open the door before the program ends.

**NOTE:** At the end of washing program-me, you can leave the door of your machine ajar to hasten the drying.

**NOTE:** If the door of machine is opened or power is cut off during washing the program will continue when the door is closed or the power is restored.

### Buzzer Sound Control

To change the buzzer sound level, follow the below steps:

1. Open the door and press Option (6) and Select (7) buttons at the same time for 3 seconds.
2. When sound setting is recognized, buzzer gives a long sound and machine will display last set level, from "S0" to "S3".
3. To decrease sound level press Select button (7). To increase sound level, press Options button (6).
4. To save the selected sound level, turn off the machine.

"S0" level means all voices are off. Factory setting is "S3".

### Save Power Mode

To activate or deactivate save power mode, follow the below steps:

1. Open the door and press Program (2) and Option (6) buttons at the same time for 3 seconds.
2. After 3 seconds, the machine will display last Setting, "IL1" or "ILO".
3. When Save Power Mode is activated, "IL1" will be displayed. On this mode, interior lights (if available) will turn off 2 minutes after the door is opened, and the machine will turn off 15 minutes after any intervention in order to save energy.
4. When Save Power Mode is deactivated "ILO" will be displayed. If Save Power Mode is inactive, interior lights will be on as long as the door is open, and the machine will always be on unless it is turned off by user.
5. To save the selected setting, turn off the machine. In factory setting, Save Power Mode is active.

# INSTALLING THE MACHINE

## Positioning the machine

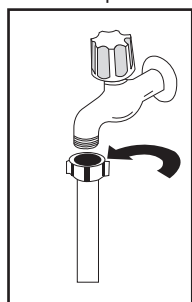
- When considering the location for the dishwasher, ensure that there is adequate space to enable loading and unloading of the dishes
- Do not put your machine in any location where the ambient temperature can fall below 5°C.
- Before positioning, take the machine out of its packaging by following the warnings located on the package.
- Position the machine close to a water tap and drain. You need to position your machine, taking into consideration that its connections will not be altered once they are made.
- Do not grip the machine by its door or panel in order to move it.
- Take care to leave a certain clearance from all sides of the machine so that you can comfortably move it back and forth during cleaning.
- Make sure that the water inlet and outlet hoses do not get squeezed while positioning the machine. Also, make sure that the machine does not stand on the electrical cable. Adjust the machine's feet so that it is level and stable. Proper positioning of the machine ensures problem-free opening and closing of its door.
- If the door of your machine does not close properly, check if the machine is stable on the floor; if not, adjust the feet and ensure it is level and stable.

## Water connection

Ensure that the indoor plumbing is suitable for installing a dishwasher and complies with AS/NZS 3500.1. Also, we recommend that you fit a filter at the entrance of your place or apartment so as to avoid any damage to your machine because of any contamination (sand, clay, rust etc) that might be occasionally carried in through the main's water supply or the indoor plumbing, and to avoid problems of staining and formation of deposits after washing.

## Water inlet hose

Do not use the water inlet hose of your old machine, you must use the new water inlet hose supplied with your machine. Before connecting the water inlet hose to the water tap, ensure clean water is flowing from the tap before making the connection. Connect the water inlet



hose directly to the water inlet tap. The pressure supplied by the tap should be at a minimum of 0.03 MPa and at a maximum of 1 MPa. If the water pressure is above 1 MPa, a pressure-relief valve should be installed.



**WARNING**  
Only turn the locking nut to secure hose - do not turn the hose.

- The first time you use the appliance, make sure that there is no leakage.
- The water inlet hose has a safety valve and a sheath with an inner mains cable.

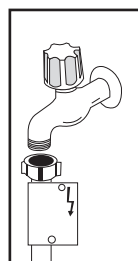
After the connections are made, the tap should be turned on fully and checked for water tightness. For the safety of your machine, make sure to always turn off the water inlet tap after each wash program is

finished.



**WARNING**

NOTE: Aquastop inlet hose has components using 240V. Do not cut Aquastop inlet hose. Do not let it get folded, twisted, kinked or crushed.



**WARNING**

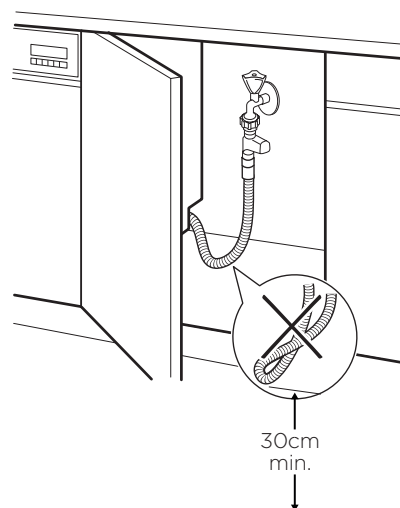
NOTE: A water tempering valve is required if the water temperature is over 60°C.



**CAUTION**

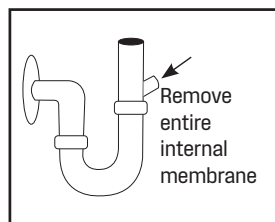
Always use new hoses when you connect the appliance to the water mains. Old hoses must not be used. The water inlet hose must be examined at an interval of twelve months for deterioration and replaced if necessary.

In order to pass the safety valve through the kitchen cabinets, an opening of at least 45mm x 90mm is needed.



## Water drain hose

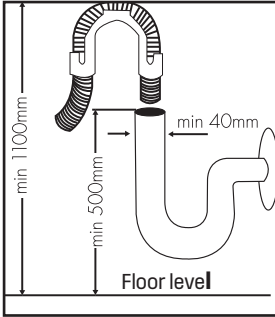
If you connect the water drain hose to a trap spigot under the sink, remove the plastic membrane. If you do not remove the entire membrane, remaining food can cause a blockage in the drain hose spigot. Ensure a hose clamp is used to secure the hose to the spigot.





# INSTALLING THE MACHINE

## Water drain hose



The water drain hose can be connected either directly to the water drain hole or to the sink outlet spigot. Using a hose hook (if available), the water can be drained directly into the sink by positioning the hose hook over the edge of the sink.

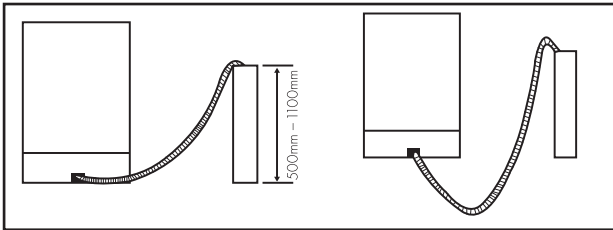
This connection should be at a minimum of 50 cm and at a maximum of 110 cm above the base

of the dishwasher.



## WARNING

Maximum drain hose length is 4m. Longer hose length will prevent correct draining, and result in poor wash performance.



☑  
(correct)

☒  
(incorrect)



## WARNING

### Electrical Connection

The plug of your machine should be connected to an earthed outlet that supplies suitable voltage and current. If there is no earthing installation, have a competent electrician carry out an earthing installation. In case of usage without earthing installed, our company will not be responsible for any loss of usage that might occur.

The indoor fuse current value should be 10-16 A.

Your machine is designed for 220-240 V. The machine should not be plugged in during installation.

Always use the molded plug supplied with your machine.

Running in low voltage will cause a decline in washing quality.

The machine's electrical cable should be replaced by an authorised service or an authorised electrician only. Failure to do so may lead to accidents.

For safety purposes, always make sure to disconnect the plug when a wash program is finished.

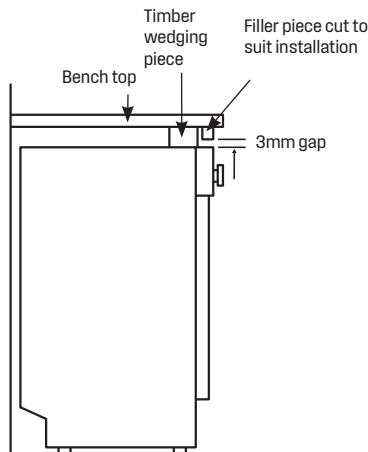
In order not to cause an electric shock, do not unplug when your hands are wet.

When disconnecting your machine from the mains supply, always pull from the plug. Never pull the cord itself.

### Fitting the machine undercounter

If you wish to fit your machine undercounter, check whether you have sufficient space under your countertop and whether the wiring-plumbing is suitable to do so.

To ensure the stability of the dishwasher for an underbench installation, if the underbench dimension is greater than 820mm, any gap between the dishwasher and the underside of the benchtop should be bridged with a packing piece. This may be achieved by wedging a piece of timber between the dishwasher and the benchtop as shown.



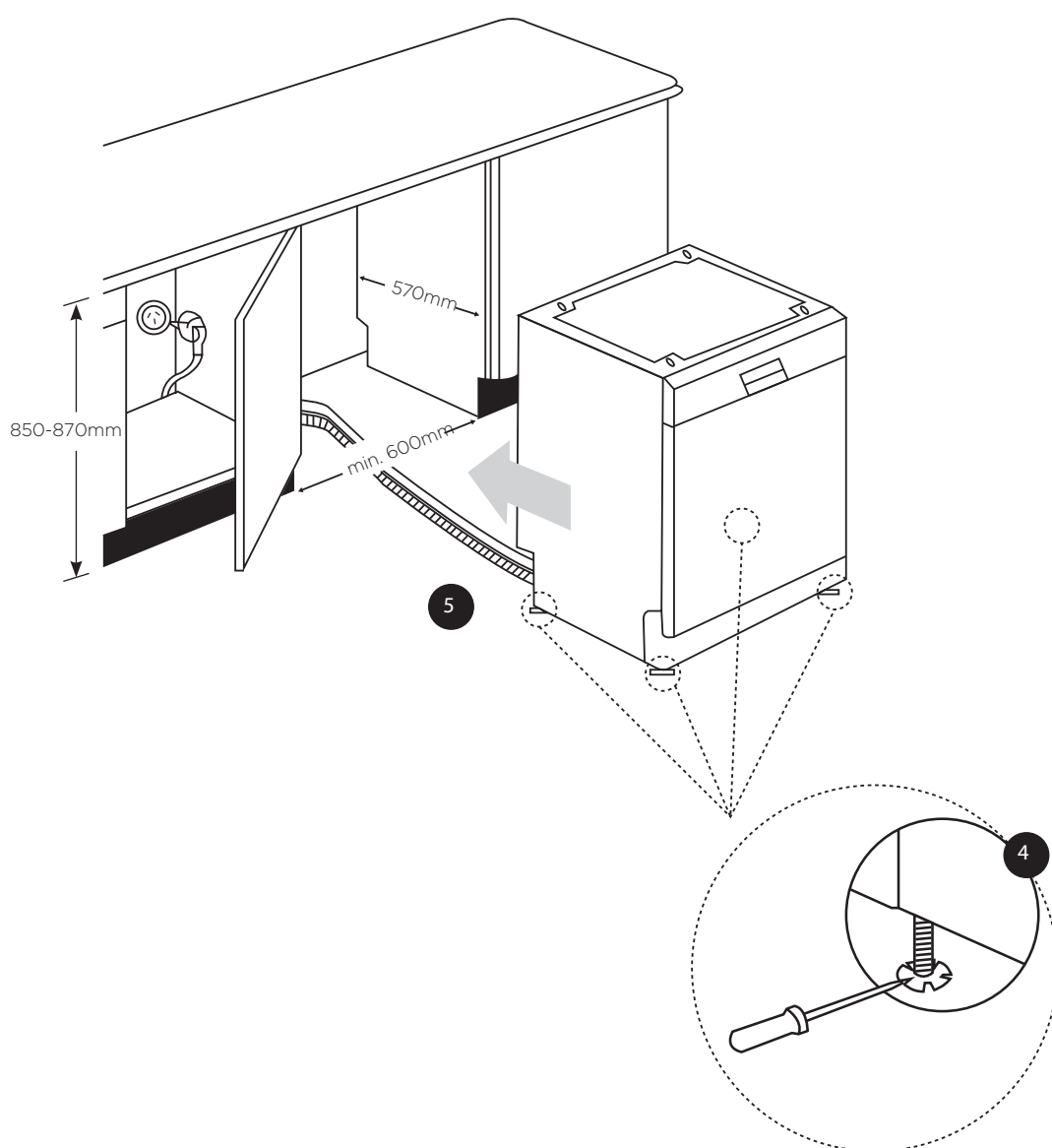
## INSTALLING THE MACHINE

- 1 Adjust the machine feet according to the slope of the floor.
- 2 Fit your machine by pushing it undercounter without letting the hoses get crushed or bent.



### WARNING

Ensure the opening for the dishwasher is according to the following dimensions.



## PREPARING THE MACHINE FOR USE

### Prior to using the machine for the first time

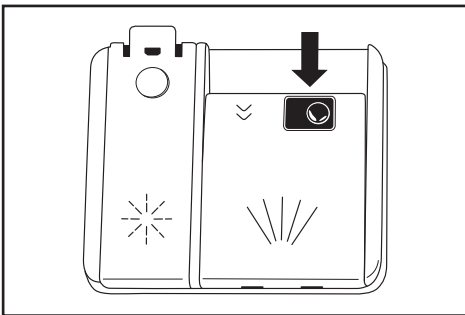
- Check whether the electricity and water supply specifications match the values indicated by the installation instructions for the machine.
- Remove all packaging materials inside the machine.
- Fill the rinse aid compartment.

### Detergent usage

Use a detergent specifically designed for use in domestic dishwashers. You can find powder, gel, and tablet detergents in the market that have been designed for household dishwashers. Detergent should be put into the compartment prior to starting the machine. Keep your detergents in cool, dry places out of reach of your children. Do not fill detergent into the detergent compartment more than required; otherwise it may etch your glasses as well as leaving undissolved detergent in the dishwasher. Should you need more information concerning the detergent to use, contact detergent manufacturers directly.

### Filling the detergent compartment

Push the latch to open the detergent container as shown in the image.

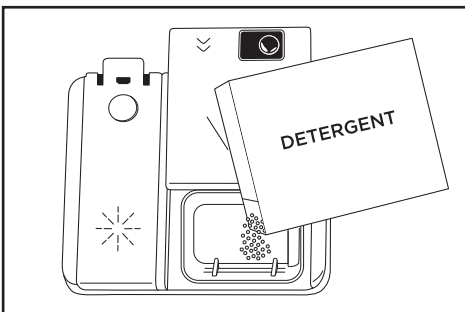


The Detergent pod has level lines inside. It is possible to measure the right detergent amount using these lines.

The detergent pod can take a maximum of 40cm<sup>3</sup> detergent.

Open the dishwasher detergent pod and pour 25cm<sup>3</sup> if your dishes are heavily soiled or 15cm<sup>3</sup> if they are less soiled.

You may have to add more detergent into your machine, depending on the degree of soil and the water hardness in your area.



If your dishes are from the previous day and there is dried food waste on them, or if you have fully loaded the dishwasher, pour 5cm<sup>3</sup> detergent onto the base of the door and start your machine.

### Combined detergent

Detergent manufacturers also produce combined detergents called "2 in 1", "3 in 1" or "5 in 1" etc.

"2 in 1" detergents contain detergent or rinse aid. When using "2 in 1" detergent make sure to check the specifications of the tablet.

Other tablet detergents contain detergent + rinse aid + various extra functions/additives.

Generally, combined detergents produce acceptable results under certain usage conditions only. These detergents contain rinse aid in preset amounts.

Points to consider when using these type of products:

- Always make sure to check the specifications of the product you will use or whether or not it is a combined product.
- These products should be used according to the manufacturer's instructions.
- Never put combined detergents into the interior section or the cutlery basket.
- Combined detergents contain not only the detergent but also rinse-aid replacement substances and additional components depending on the combination.
- We recommend you do not use combined detergents in short programs. Please use powder detergents instead.
- If you encounter problems when using combined detergents, please contact the detergent manufacturer.
- When you stop using combined detergents, make sure that rinse aid setting is set to the correct level.

Recommended usage: If you want to obtain better results while using combined detergents, add rinse aid into your machine and adjust the rinse aid setting to the lowest position.

**Solubility of the tablet detergents produced by different companies can vary depending on the temperature and time. Therefore, it is not recommended to use these detergents in short programs. It is more suitable to use powder detergents and rinse aid in short programs.**



Should any problem occur which you have not encountered before, with the use of these types of detergents, contact the detergent manufacturers directly.

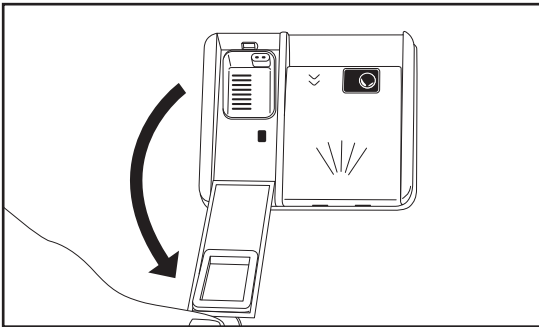
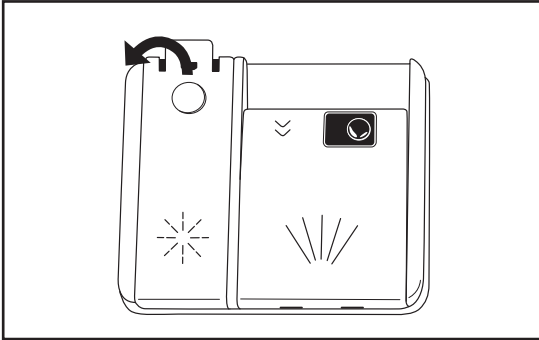
# PREPARING THE MACHINE FOR USE

## When you STOP using combined detergents

- Fill the rinse aid compartments.
- Select a suitable rinse aid setting.

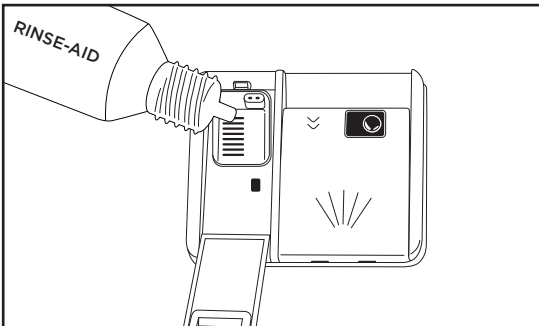
## Filling with rinse aid and setting

To fill the rinse aid compartment, open the rinse-aid compartment cap.



Fill the compartment with rinse aid until MAX level and then close the cap.

Be careful not to overfill the rinse aid compartment and wipe up any spills.



## In order to set rinse aid level, follow below steps:

- Turn on the machine by pressing the On/Off button.
- Press the Program button for at least 3 seconds immediately after the machine is turned on.
- Release the program button when "rA" is shown. Next, the last setting level is displayed.
- Set the level by pushing the program button.
- Switch off the machine to save the setting.

The factory setting is "4".

If the dishes are not drying properly or are spotted, increase the rinse-aid level. If blue stains form on your dishes, decrease the rinse-aid level.

| Level | Brightener Dose         | Indicator                   |
|-------|-------------------------|-----------------------------|
| 1     | Rinse-aid not dispensed | r1 is shown on the display. |
| 2     | 1 dose is dispensed     | r2 is shown on the display. |
| 3     | 2 doses are dispensed   | r3 is shown on the display. |
| 4     | 3 doses are dispensed   | r4 is shown on the display. |
| 5     | 4 doses are dispensed   | r5 is shown on the display. |



## TIPS AND INFORMATION

Only use rinse aid suitable for automatic dishwashers.

As rinse aid residues left as a result of overflowing will create extremely high amounts of foam and reduce the washing performance, remove the excess amount of rinse aid by wiping it with a cloth. Remove all excess rinse aid if spilt while filling.

## LOADING YOUR DISHWASHER

For best results, follow these loading guidelines.


Loading the household dishwasher up to the capacity indicated by the manufacturer will contribute to energy and water savings. Manual pre-rinsing of tableware items leads to increased water and energy consumption and is not recommended. You can place cups, glasses, stemware, small plates, bowls, etc. in upper basket. Do not lean long glasses against one another or they cannot remain steady and may receive damage.

When placing long stem glasses and goblets, lean them against the basket edge or rack and not against other items.

Place all containers such as cups, glasses and pots into the dishwasher with the opening facing downwards otherwise water can collect on items.


If there is cutlery basket in machine, you are recommended to use the cutlery grid in order to obtain the best result. Place all large (pots, pans, lids, plates, bowls etc.) and very dirty items in the lower rack. Dishes and cutlery should not be placed above each other.


 **WARNING:** Take care not to obstruct the rotation of spray arms.

 **WARNING:** Make sure after loading the dishes do not prevent opening the detergent dispenser.

### Recommendations

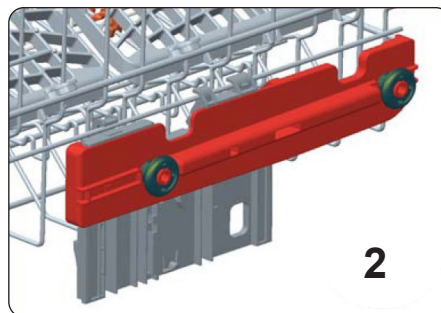
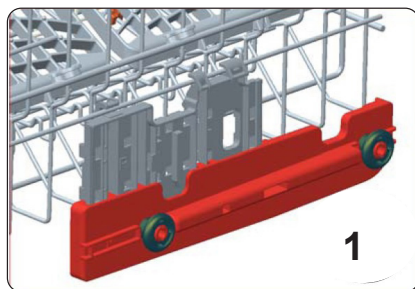
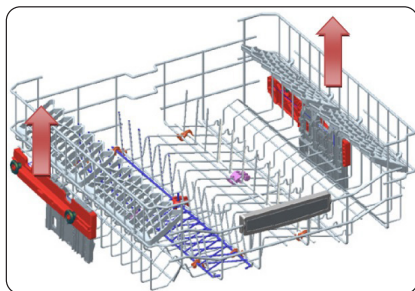
Remove any coarse residue on dishes before placing the dishes in the machine. Start the machine with full load.

 Do not overload the drawers or place dishes in the wrong basket.

 **WARNING:** To avoid any possible injuries, place long-handle and sharp-pointed knives with their sharp points facing down or horizontally on the baskets.

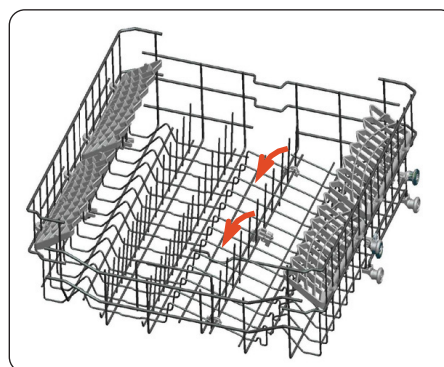
### Height adjustment

The upper basket includes a mechanism which enables the height of the basket to be adjusted up (1) or down (2) without having to remove the basket. Hold the basket on both sides and pull it up or push it down, ensuring both sides of the upper basket are in the same position.



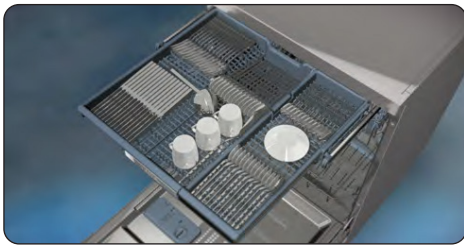
### Height Adjustable Rack (peg type)

The foldable racks in the upper basket enable the placement of large items such as pots and pans. Each section can be folded separately. The foldable racks can be either raised up or folded down.

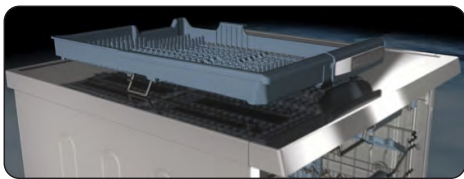


### Upper Cutlery Basket

The upper cutlery basket is designed for the placement of large and small cutlery and utensils.



The basket is easily removed from the dishwasher, therefore allows ease of use when removing your items, along with the basket, after washing.



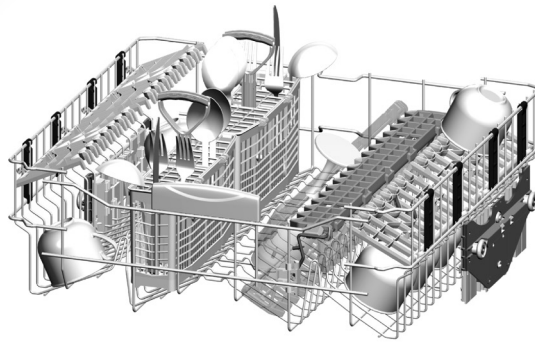
The upper cutlery basket is composed of two pieces that can be separately removed. Remove the left or right section of the cutlery basket in order to obtain more space for items in the upper basket.



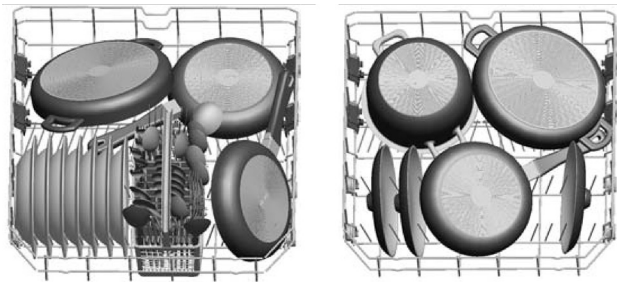
**WARNING:** Knives and other sharp objects must be placed horizontally in the cutlery basket.

## LOADING YOUR DISHWASHER

Alternative modular basket position

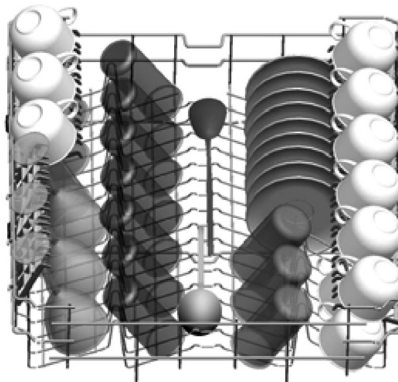


Alternative basket loads  
Lower Basket



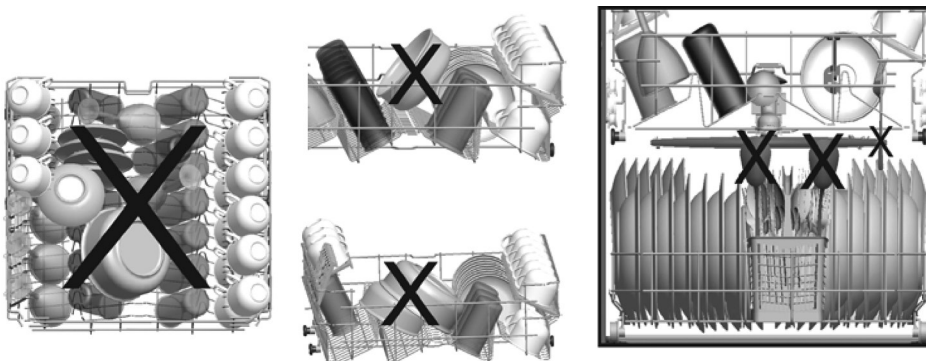
## LOADING YOUR DISHWASHER

Top Basket



TIPS AND INFORMATION

Examples of incorrect loading



## PROGRAM DESCRIPTIONS

### Program items

| NAME OF PROGRAM     | FAST 30'  | DELICATE   | ECO*  | DUAL WASH  | TIMESAVE 50'   | SENSORWASH   |
|---------------------|---|--|---|--|--|--|
| TYPE OF FOOD SOILS  | Lightly soiled items and a quick wash, no drying. | Suitable for lightly soiled dishes and quick wash. | Standard program for normally soiled daily using dishes with reduced energy and water consumptions. | Suitable for both lightly soiled delicate glassware on upper rack and heavily soiled crockery on lower rack. | Suitable for normally soiled daily dishes with faster program. | Auto program for normally and heavily soiled dishes. |
| PROGRAM TIME (MINS) | 30  | 74   | 216   | 113  | 50   | 199-219  |

**NOTE:** PROGRAM DURATION MAY CHANGE ACCORDING TO THE AMOUNT OF DISHES, TAP WATER, AMBIENT TEMPERATURE AND SELECTED ADDITIONAL FUNCTIONS.

- Only use powder detergent in short programs.
- Short programs do not include a drying step.
- To assist drying, we recommend partially opening the door after the program has finished.

### Information for test laboratories

For all the necessary information for performance testing, send an email to [dishwasher@standardtest.info](mailto:dishwasher@standardtest.info)  
In your mail please provide the model number and PNC number that is on the rating plate on the appliance door.



## MAINTENANCE AND CLEANING

Cleaning your dishwasher is important to maintain the machine's service life

Oil and limescale may build up in your Dishwasher over time. If this occurs:

Fill the detergent compartment but do not load any dishes. Select a program which runs at high temperature and run the Dishwasher empty. If this does not clean your Dishwasher sufficiently, use a cleaning agent designed for use with dishwashers. To extend the life of your dishwasher, clean the appliance regularly on each month.

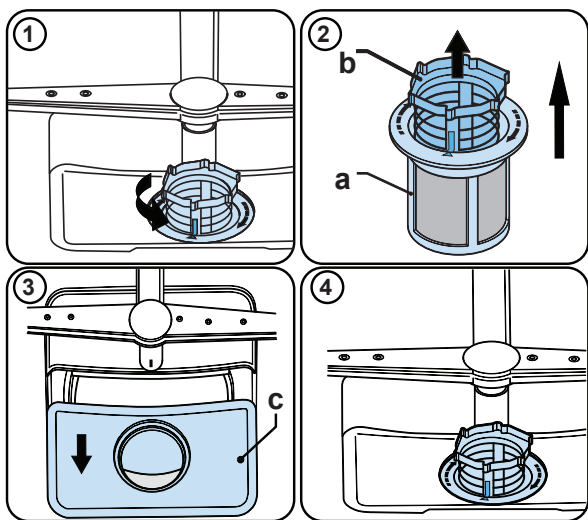
Wipe the door seals regularly with a damp cloth to remove any accumulated residue or foreign objects.

### Filters

Clean the filters and spray arms at least once a week. If any food waste remains or foreign objects on the coarse and fine filters, remove them and clean them thoroughly with water.

a) Micro Filter b) Coarse Filter

c) Metal Filter

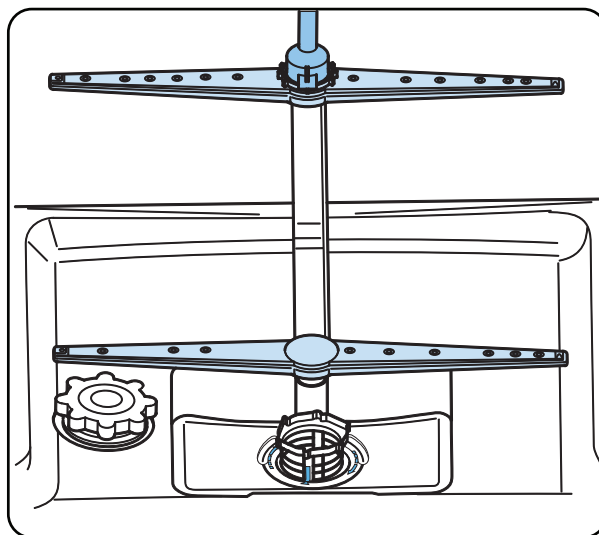


To remove and clean the filter combination, turn it counter clockwise and remove it by lifting it upwards (1). Pull the coarse filter out of the micro filter (2). Then pull and remove the metal filter (3). Rinse the filter with lots of water until it is free of residue. Reassemble the filters. Replace the filter insert, and rotate it clockwise (4).

- Never use your dishwasher without a filter.
- Incorrect fitting of the filter will reduce the washing effectiveness.
- Clean filters are necessary for proper running of the machine.

### Spray arms

Make sure that the spray holes are not clogged and that no food waste or foreign object is stuck to the spray arms. If there is any clogging, remove the spray arms and clean them under water. To remove the upper spray arm undo the nut holding it in position by turning it clockwise and pulling it downwards. Make sure that the nut is properly tightened when refitting the upper spray arm.



### Drain Pump

Large food residues or foreign objects which were not captured by the filters may block the waste water pump. The rinsing water will then be above the filter.

**⚠ Warning Risk of cuts!**

When cleaning the waste water pump, ensure that you do not injure yourself on pieces of broken glass or pointed implements.

In this case:

1. First always disconnect the appliance from the power supply.
2. Take out baskets.
3. Remove the filters.
4. Scoop out water, use a sponge if required.
5. Check the area and remove any foreign objects.
6. Install filters.
7. Re-insert baskets.

## FAILURE CODES AND WHAT TO DO IN CASE OF FAILURE

| TROUBLE CODE | POSSIBLE FAULT               | WHAT TO DO   |
|--------------|------------------------------|--|
| FF           | Water inlet system failure   | Make sure the water inlet tap is open and water is flowing.            |
|              |                              | Separate the inlet hose from the tap and clean the filter of the hose. |
|              |                              | Contact for service if the error continues.                            |
| F5           | Pressure system failure      | Contact for service.   |
| F3           | Continuous water input       | Close the tap and contact for service.                                 |
| F2           | Inability to discharge water | Water discharge hose and filters may be clogged.                       |
|              |                              | Cancel the program.  |
|              |                              | If the error continues, contact for service.                           |
| F8           | Heater error                 | Contact for service.   |
| F1           | Overflow                     | Unplug the machine and close the tap.                                  |
|              |                              | Contact for service.   |
| F7           | Overheating                  | Contact for service.   |
| F9           | Diverter position error      | Contact for service.v  |
| F6           | Faulty heater sensor         | Contact for service.   |
| HI           | High voltage failure         | Contact for service.   |
| LO           | Low voltage failure          | Contact for service.   |

The installation and repairing procedures should always be carried out by the Authorised Service Agent in order to avoid possible risks. The manufacturer shall not be held liable for damages that may arise from procedures carried out by unauthorised persons. Repairs may be carried out by technicians only. If a component has to be replaced, ensure that only original spare parts are used.

Improper repairs or use of non-original spare parts may cause considerable damage and put the user at considerable risk.

Contact information for your customer service can be found on the back of this document.

Function-relevant genuine spare parts according to the corresponding Ecodesign order can be obtained from Customer Service for a period of at least 10 years from the date on which your appliance was placed on the market within the European Economic Area.

## TROUBLESHOOTING

| PROBLEM   | SOLUTION   |
|---|--|
| <b>If one of program monitor lights is on and start/pause light is flashing</b> | <ul style="list-style-type: none"> <li>Your machine's door is open, shut the door.</li> </ul>  |
| <b>If the program won't start</b>   | <ul style="list-style-type: none"> <li>Check if the plug is connected.</li> <li>Check your indoor fuses.</li> <li>Be sure that the water inlet tap is turned on.</li> <li>Be sure that you have closed the machine door.</li> <li>Be sure that you switched off the machine by pressing the Power On/Off button.</li> <li>Be sure that the water inlet filter and the machine filters are not clogged.</li> <li>First time use: Check if the drain spigot's membrane has been removed or spigot blocked.</li> <li>Check if the delay start has been selected - reset.</li> </ul> |
| <b>If detergent residues are left in the detergent compartment</b>              | <ul style="list-style-type: none"> <li>Detergent has been added when the detergent compartment was wet.</li> <li>A large dish in the lower basket has blocked the dispenser door.</li> </ul>   |
| <b>If water is left inside the machine at the end of the program</b>            | <ul style="list-style-type: none"> <li>The water drain hose is clogged or twisted.</li> <li>The filters are clogged.</li> <li>The program is not finished yet.</li> </ul>  |
| <b>If the machine stops during a wash operation</b>                             | <ul style="list-style-type: none"> <li>Power failure.</li> <li>Water inlet failure.</li> <li>Program can be on standby mode.</li> </ul>  |
| <b>If shaking and hitting noises are heard during a wash operation</b>          | <ul style="list-style-type: none"> <li>Dishes placed incorrectly.</li> <li>Spray arm hitting the dishes.</li> </ul>  |
| <b>If there are partial food wastes left on the dishes</b>                      | <ul style="list-style-type: none"> <li>Dishes placed incorrectly into the machine, sprayed water did not reach related places.</li> <li>Basket over loaded.</li> <li>Dishes leaning against one another.</li> <li>Very small amount of detergent added.</li> <li>An unsuitable, rather weak wash program selected.</li> <li>Spray arm clogged with food wastes.</li> <li>Filters clogged.</li> <li>Filters incorrectly fitted.</li> <li>Water drain pump clogged.</li> </ul>   |
| <b>If there are whitish stains on the dishes</b>                                | <ul style="list-style-type: none"> <li>A very small amount of detergent is being used.</li> <li>Rinse aid dosage setting at a very low level.</li> </ul>   |
| <b>If the dishes won't dry up</b>   | <ul style="list-style-type: none"> <li>A program without a dry operation selected.</li> <li>Rinse aid dosage set too low.</li> <li>Dishes unloaded too fast.</li> </ul>  |
| <b>If there are rust stains on the dishes</b>                                   | <ul style="list-style-type: none"> <li>Stainless-steel quality of the dishes washed is insufficient.</li> <li>Unhealthy mains grounding.</li> </ul>  |

Call an authorised service centre if the problem still persists after the controls or in case of any malfunction not described above.



FOR SALES IN AUSTRALIA AND NEW ZEALAND  
APPLIANCE: WESTINGHOUSE DISHWASHERS

**This document sets out the terms and conditions of the product warranties for Westinghouse Appliances. It is an important document. Please keep it with your proof of purchase documents in a safe place for future reference should there be a manufacturing defect in your Appliance. This warranty is in addition to other rights you may have under the Australian Consumer Law.**

**1. In this warranty:**

- (a) 'ACL' or 'Australian Consumer Law' means Schedule 2 to the Competition and Consumer Act 2010;
- (b) 'Appliance' means any Electrolux product purchased by you and accompanied by this document;
- (c) 'ASC' means Electrolux's authorised serviced centres;
- (d) 'Westinghouse' is the brand controlled by Electrolux Home Products Pty Ltd of 163 O'Riordan Street, Mascot NSW 2020, ABN 51 004 762 341 in respect of Appliances purchased in Australia and Electrolux (NZ) Limited (collectively "Electrolux") of 3-5 Niall Burgess Road, Mount Wellington, in respect of Appliances purchased in New Zealand;
- (e) 'Warranty Period' means the period specified in clause 3 of this warranty;
- (f) 'you' means the purchaser of the Appliance not having purchased the Appliance for re-sale, and 'your' has a corresponding meaning.

**2. Application:** This warranty only applies to new Appliances, purchased and used in Australia or New Zealand and is in addition to (and does not exclude, restrict, or modify in any way) other rights and remedies under a law to which the Appliances or services relate, including any non-excludable statutory guarantees in Australia and New Zealand.

**3. Warranty Period:** Subject to these terms and conditions, this warranty continues for in Australia for a period of 24 months and in New Zealand for a period of 24 months, following the date of original purchase of the Appliance.

**4. Repair or replace warranty:** During the Warranty Period, Electrolux or its ASC will, at no extra charge if your Appliance is readily accessible for service, without special equipment and subject to these terms and conditions, repair or replace any parts which it considers to be defective. Electrolux may, in its absolute discretion, choose whether the remedy offered for a valid warranty claim is repair or replacement. Electrolux or its ASC may use refurbished parts to repair your Appliance. You agree that any replaced Appliances or parts become the property of Electrolux.

**5. Travel and transportation costs:** Subject to clause 7, Electrolux will bear the reasonable cost of transportation, travel and delivery of the Appliance to and from Electrolux or its ASC. Travel and transportation will be arranged by Electrolux as part of any valid warranty claim.

**6. Proof of purchase** is required before you can make a claim under this warranty.

**7. Exclusions:** You may not make a claim under this warranty unless the defect claimed is due to faulty or defective parts or workmanship. This warranty does not cover:

- (a) light globes, batteries, filters or similar perishable parts;
- (b) parts and Appliances not supplied by Electrolux;
- (c) cosmetic damage which does not affect the operation of the Appliance;

- (d) damage to the Appliance caused by:
  - (i) negligence or accident;
  - (ii) misuse or abuse, including failure to properly maintain or service;
  - (iii) improper, negligent or faulty servicing or repair works done by anyone other than an Electrolux authorised repairer or ASC;
  - (iv) normal wear and tear;
  - (v) power surges, electrical storm damage or incorrect power supply;
  - (vi) incomplete or improper installation;
  - (vii) incorrect, improper or inappropriate operation;
  - (viii) insect or vermin infestation;
  - (ix) failure to comply with any additional instructions supplied with the Appliance;

In addition, Electrolux is not liable under this warranty if:

- (a) the Appliance has been, or Electrolux reasonably believes that the Appliance has been, used for purposes other than those for which the Appliance was intended, including where the Appliance has been used for any non-domestic purpose;
- (b) the Appliance is modified without authority from Electrolux in writing;
- (c) the Appliance's serial number or warranty seal has been removed or defaced

**8. How to claim under this warranty:** To enquire about claiming under this warranty, please follow these steps:

- (a) carefully check the operating instructions, user manual and the terms of this warranty;
- (b) have the model and serial number of the Appliance available;
- (c) have the proof of purchase (e.g. an invoice) available;
- (d) telephone the numbers shown below.

**9. Australia:** For Appliances and services provided by Electrolux in Australia: Electrolux goods come with guarantees that cannot be excluded under the Australian Consumer Law. You are entitled to a replacement or refund for a major failure and for compensation for any other reasonably foreseeable loss or damage. You are also entitled to have the Appliance repaired or replaced if the Appliance fails to be of acceptable quality and the failure does not amount to a major failure. 'Acceptable quality' and 'major failure' have the same meaning as referred to in the ACL.

**10. New Zealand:** For Appliances and services provided by Electrolux in New Zealand, the Appliances come with a guarantee by Electrolux pursuant to the provisions of the Consumer Guarantees Act, the Sale of Goods Act and the Fair Trading Act. Where the Appliance was purchased in New Zealand for commercial purposes the Consumer Guarantee Act does not apply.

**11. Confidentiality:** You accept that if you make a warranty claim, Electrolux and its agents including ASC may exchange information in relation to you to enable Electrolux to meet its obligations under this warranty.

**Important Notice**

Before calling for service, please ensure that the steps listed in clause 8 above have been followed.

|                    |   |  |
|--------------------|---|--|
| <b>AUSTRALIA</b>   | <b>FOR SERVICE</b><br>or to find the address of your nearest authorised service centre in Australia<br><b>PLEASE CALL 13 13 49</b><br><small>For the cost of a local call</small> | <b>FOR SPARE PARTS</b><br>or to find the address of your nearest spare parts centre in Australia<br><b>PLEASE CALL 13 13 50</b><br><small>For the cost of a local call</small> |
| <b>NEW ZEALAND</b> | <b>FOR SERVICE</b><br>or to find the address of your nearest authorised service centre in New Zealand<br><b>PLEASE CALL 0800 10 66 10</b>   | <b>FOR SPARE PARTS</b><br>or to find the address of your nearest spare parts centre in New Zealand<br><b>PLEASE CALL 0800 10 66 20</b>   |

**For more information on all Westinghouse appliances, or for dimension and installation information, call into your retailer, phone or email our customer care team or visit our website:**


**AUSTRALIA**

service: 13 13 49  
spare parts: 13 13 50  
email: [customercare@electrolux.com.au](mailto:customercare@electrolux.com.au)  
web: [westinghouse.com.au](http://westinghouse.com.au)

**NEW ZEALAND**

Customer Care: 0800 436 245  
Spare Parts: 0800 106 620  
Email: [customercare@electrolux.co.nz](mailto:customercare@electrolux.co.nz)  
Web: [westinghouse.co.nz](http://westinghouse.co.nz)



 Westinghouse are trademarks of Westinghouse Electric Corporation.  
Used under license. All Rights Reserved.

© 2017 Electrolux Home Products Pty Ltd.  
ABN 51 004 762 341